

H 5700

Built to last

KATALOG PROIZVODA
WWW.ALURIS.RS

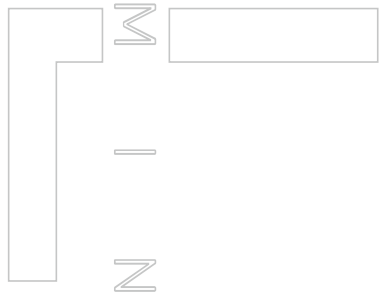
SADRŽAJ

- TEHNIČKI OPIS / TECHNICAL DESCRIPTION
 - A PRATEĆI MATERIJAL / ACCESSORIES
 - B PREGLED ALUM. PROFILA / ALUMINIUM PROFILES OVERVIEW
 - C PRESECI ALUMINIJUMSKIH PROFILA / SECTIONS OF ALUMINIUM PROFILE
 - D DETALJI ELEMENATA / DETAILS OF ELEMENTS
 - E STAKLJENJE / GLAZZING
-



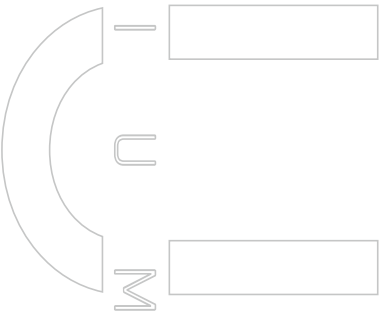
TECH. DESCRIPTION

Within ALURIS SYSTEM construction program of civil engineering, system H5700 could be considered as one of the most comprehensive system, prepared to meet all the actual needs of the market, designers, project engineers, architects, contractors and buyer who wish to seize all the esthetic and functional advantages of the aluminium constructions.



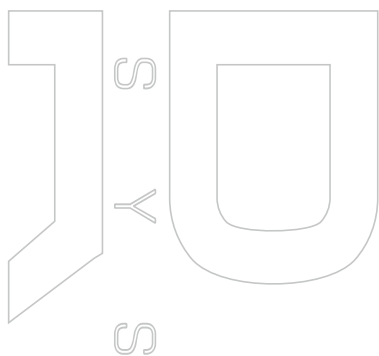
IMPLEMENTATION POSSIBILITIES:

- This system of aluminium profiles, without the thermal bridge, with „EURO-GROOVE“ fittings and E.P.D.M. gaskets, is ready to manage any of the following types of constructions: windows, entrance doors, interior doors with one or more sashes and with possibility of choosing the direction, as well as, portals, panel vents, etc, Aluminium profiles, are with soft, orbled edges.



THE CHARACTERISTICS OF THE SYSTEM:

- Passed aluminium profiles from the AW6060T 12-15
- Thickness of the profile and tolerance: according to EN 755/9,
- Thickness of the filling/glass: from 6mm -20mm depending on glazing used.



MAIN CHARACTERISTICS OF THE SYSTEM:

Group of profiles for windows and doors enables manufacturing frames which, from outside, could appear flat or rounded, with overleaf of 5-6 mm between jamb and sash.



Coupling of frames on corner is possible either with a piece of corner joint from pressed aluminium profile embedded and glued, or with a split corner joint which connects profiles by means of struts.

TEHNIČKI OPIS

U okviru programa ALURIS SISTEMA za potrebe građevinarstva, sistem H 5700 se može smatrati kompletnim sistemom koji zadovoljava sve aktualne potrebe tržišta i zahteve projekatana, dizajnera inženjera, arhitekata, izvođača i kupaca koji žele da iskoriste estetske i funkcionalne prednosti aluminijumskih konstrukcija.

MOGUĆNOST PRIMENE:

- Ovaj sistem aluminijumskih profila bez prekinutog termičkog mosta, okova u sistemu „EVROŽLJEB-a“ i EPDM dichtung zaptivki, omogućava izradu bilo kog tipa konstrukcije (prozora, ulaznih vrata, unutrašnjih vrata sa jednim ili više krila i sa mogućnošću otvaranja u polju ili ka unutra, kao i portale, žaluzina itd). Aluminijumski profili su sa mekim i zaobljenim ivicama.

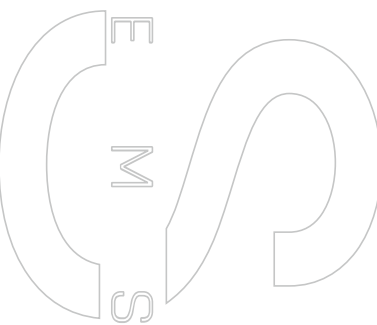
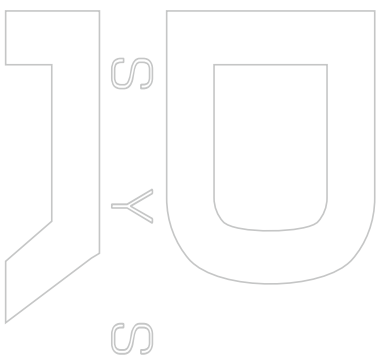
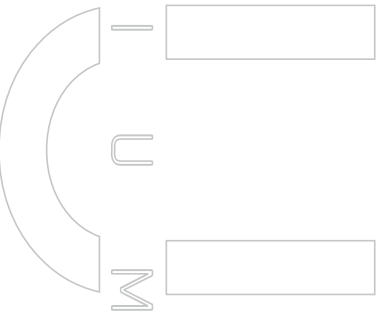
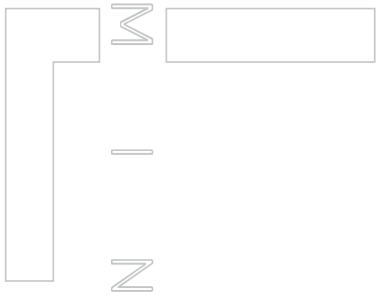
TEHNIČKI OPIS SISTEMA:

- Presovani aluminijumski profili od legure AW6060T 12-15
- Debljina profila i tolerancije: prema standardu EN 755/9,
- Debljina ispune/stakla: Različite, od 6 mm do 20 mm u zavisnosti od vrste upotrebljenih lagniza održavanje stakla.

GLAVNE KARAKTERISTIKE:








Grupa profila za prozore i vrata omogućava proizvodnju ramova koji sa spoljne strane mogu biti ravni ili zaobljeni sa preklapom od 5 mm do 6mm između dovratnika i otvarajućeg krila.





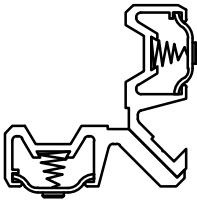
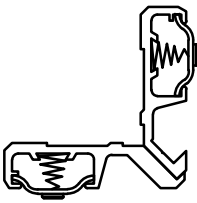
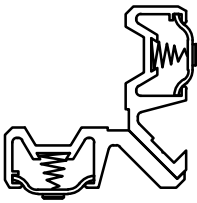
Spajanje ramova na uglovima moguće je na dva načina i to: pomoću komada ugaone uloške od presovanog aluminijumskog profila fiksirane utiskivanjem i ekspandirajućim lepkom, kao i pomoću dvodelne ugaone uloške koja spaja profile razupiranjem.

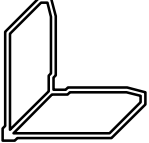
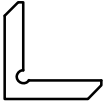
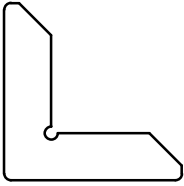
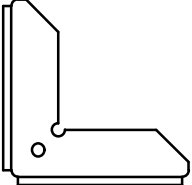
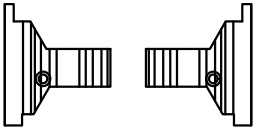
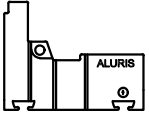


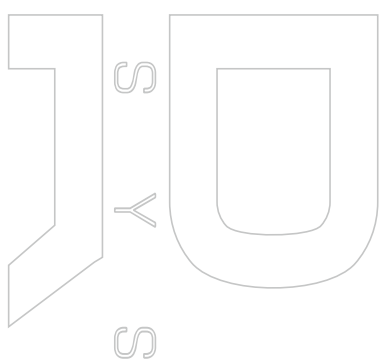
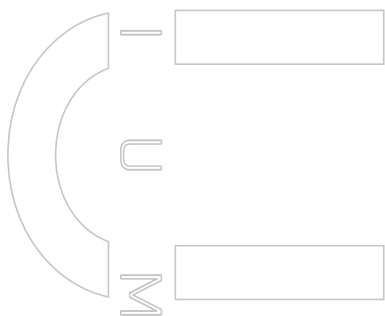
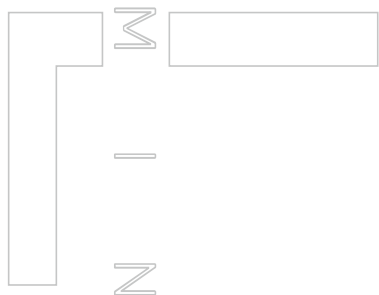
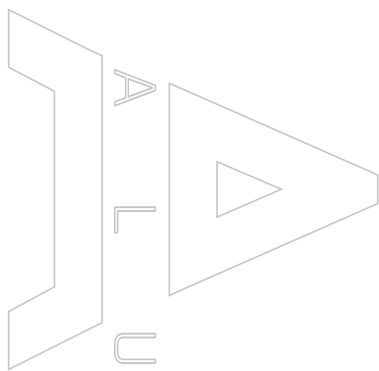
A SEGMENT
PRATEĆI MATERIJAL

A C C E S S O R I E S

OZNAKA CODE	IZGLED DESIGN	OPIS DESCRIPTION	VEZA SA CONNECTED TO	JED. MERE / PAKOVANJE UNIT / PACK
GK 1		unutrašnji dihtung krila / inner seal gasket	22 23	<u>300</u> m'
		<i>materijal: EPDM</i>		
GS		prednja zaptivka štoka i krila/ front sash - frame gasket	12 13 41	<u>200</u> m'
		<i>materijal: EPDM</i>		
GP 1		Prednji naslon za staklo/ front glass suport	12 13 22 23 31 35	<u>200</u> m'
		<i>materijal: EPDM</i>		
GZ 1		zaptivka krila i centralne gume/ gasket wings and central rubber	13.1	<u>300</u> m'
		<i>materijal: EPDM</i>		
GZ 2		unutrašnja zaptivka krila i štoka/ Inner sash - frame gasket	13.1	<u>200</u> m'
		<i>materijal: EPDM</i>		
GZ 3		Unutrašnji oslonac drvenog krila profila/ Inner support wooden sash profile	13.1	<u>150</u> m'
		<i>materijal: EPDM</i>		
GC 57		unutrašnja zaptivka krila i štoka/ Inner sash - frame gasket	12 13 31 41	<u>200</u> m'
		<i>materijal: EPDM</i>		

OZNAKA CODE	IZGLED DESIGN	OPIS DESCRIPTION	VEZA SA CONNECTED TO
Spojnica H 15-44		spojnica (k1005) / extruded corner joint L=44.0 mm	5700 12 5700 21 5700 22 5700 23
		<i>materijal: aluminijum</i>	
Spojnica T 21-25		spojnica (k1004) / extruded corner joint L=25 mm	5700 13
		<i>materijal: aluminijum</i>	
Spojnica H 21- 44		spojnica (k1004) / extruded corner joint L=44 mm	5700 10 5700 11
		<i>materijal: aluminijum</i>	
Spojnica H 42 -44		spojnica (k1004) / extruded corner joint L=44 mm	5700 24 5700 25
		<i>materijal: aluminijum</i>	
MS 21.3		montažna spojnica / assembly corner joint	5700 10 5700 11 5700 24 5700 25
		<i>materijal: aluminijum</i>	
MS 15.2		montažna spojnica / assembly corner joint	5700 21 5700 22
		<i>materijal: aluminijum</i>	
MS 21.2		montažna spojnica / assembly corner joint	5700 13
		<i>materijal: aluminijum</i>	

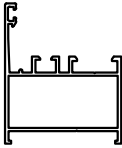
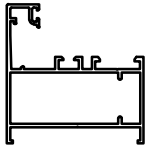
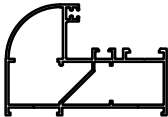
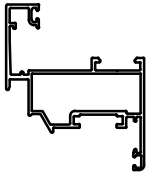
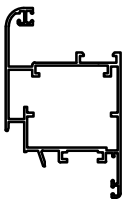
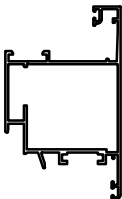
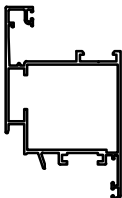
OZNAKA CODE	IZGLED DESIGN	OPIS DESCRIPTION	VEZA SA CONNECTED TO
Spojnica D21.3		spojnica (k1364) / extruded corner joint L=44.0 mm	5700 24 5700 25
		<i>materijal: aluminijum</i>	
U 1.2		uglič / corner alignment d=1.5 mm	5700 13 5700 22
		<i>materijal: čelik/ steel</i>	
U 2		uglič - veliki/ corner alignment - large d=1.5 mm	5700 21 5700 22 5700 24 5700 25
		<i>materijal: čelik/ steel</i>	
U 3		uglič - veliki/ corner alignment - large d=1.5 mm	5700 21 5700 24 5700 25 5700 11 5700 10*
		<i>materijal: čelik/ steel</i>	
P 5700 D		plastika srednje dopune / assembly corner joint	5700 41
		<i>materijal: poliamid</i>	
P 60 D (u pripremi)		plastika srednje dopune / assembly corner joint	5700 60* (u izradi)
		<i>materijal: poliamid</i>	

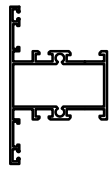
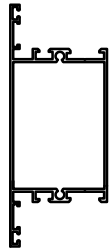
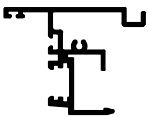
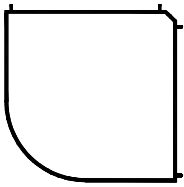
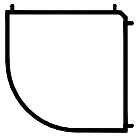
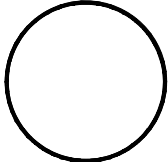
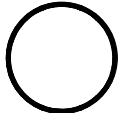





B SEGMENT

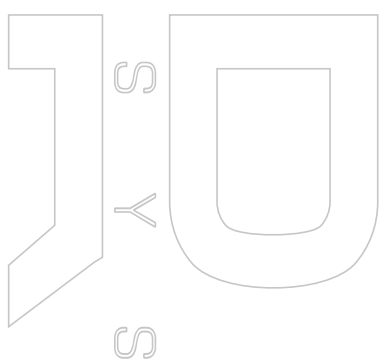
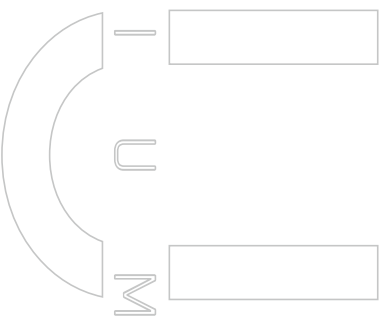
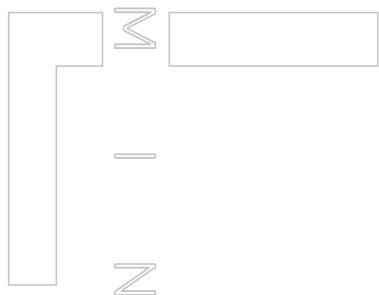
PREGLED ALUMINIJUMSKIH PROFILA

ALUMINIUM PROFILES OVERVIEW

OZNAKA CODE	IZGLED DESIGN	OPIS DESCRIPTION	lx	Jy	Kg/m'
5700 10* (u pripremi)		Štok Frame	5.61	11.34	0.90
5700 11		Štok Frame	5.0198	14.5603	0.99
5700 13		Štok Frame	11.0227	28.3127	1.39
5700 21		Krilo prozora Window sash	5.1167	19.9090	1.190
5700 22		Krilo prozora Window sash	35.7525	14.2176	1.42
5700 24		Krilo prozora Window sash	21.70	32.03	1.43
5700 25		Krilo prozora Window sash	15.76	39.70	1.42

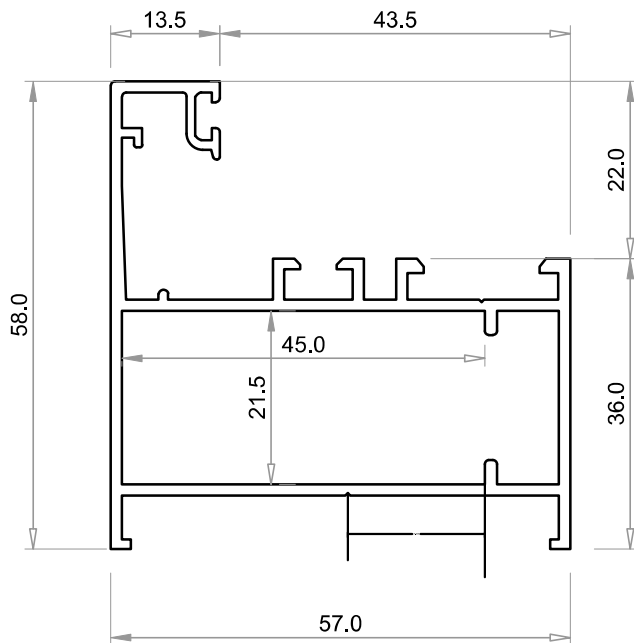
OZNAKA CODE	IZGLED DESIGN	OPIS DESCRIPTION	I _x	J _y	Kg/m'
5700 31		"T" profil "T" profile	12.0602	11.5208	1.090
5700 35		"T" profil "T" profile	56.9839	18.8967	1.430
5700 41		Srednja dopuna/ Central rabbet	7.699	11.6402	1.070
5700 U1*		Dopuna za 90°/ Rabbet for 90°	44.5359	56.5639	1.227
5700 U2*		Dopuna za 90°/ Rabbet for 90°	19.6884	14.5873	0.862
5700 04*		Dopuna / Rabbet	28.3390	28.3390	0.666
5700 05*		Dopuna / Rabbet	11.6413	11.6413	0.450

OZNAKA CODE	IZGLED DESIGN	OPIS DESCRIPTION	lx	Jy	Kg/m'
5700 02*		Dopuna štoka / Frame rabbet	0.461	14.6382	0.507
5700 03*		Dopuna štoka / Frame rabbet	0.189	5.5204	0.373
KL 13.1		Kit lajsna / Glazing bead	0.79	1.11	0.300
5700 53		Nosač četkice / Door brush rabbet seal	0.6073	3.9694	0.34
5700 50		Prag / Treshold	0.166	2.4017	0.39
NC 3		Nosač četkice / Door brush rabbet seal			0.300
5700 60		Nosač četkice / Door brush rabbet seal			0.75



C SEGMENT

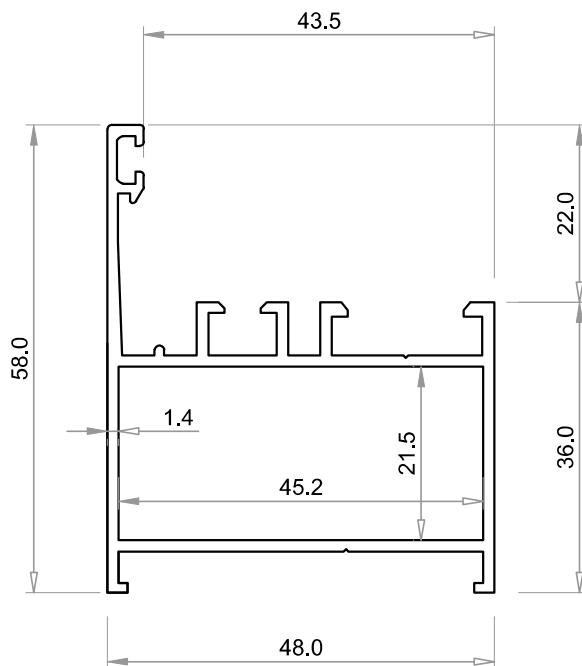
PRESECI ALUMINIJUMSKIH PROFILA
SECTIONS OF ALUMINUM PROFILES



5700 11

ŠTOK
FRAME

0.99 kg/m'

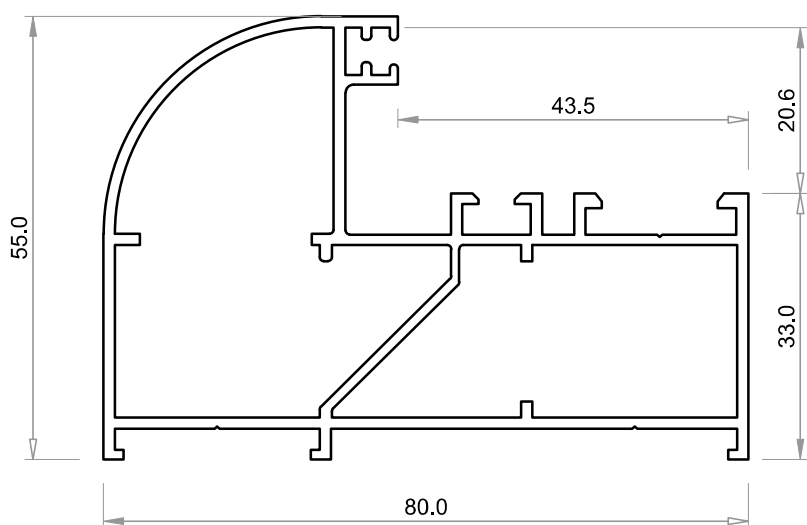


5700 10*

ŠTOK
FRAME

0.90 kg/m'

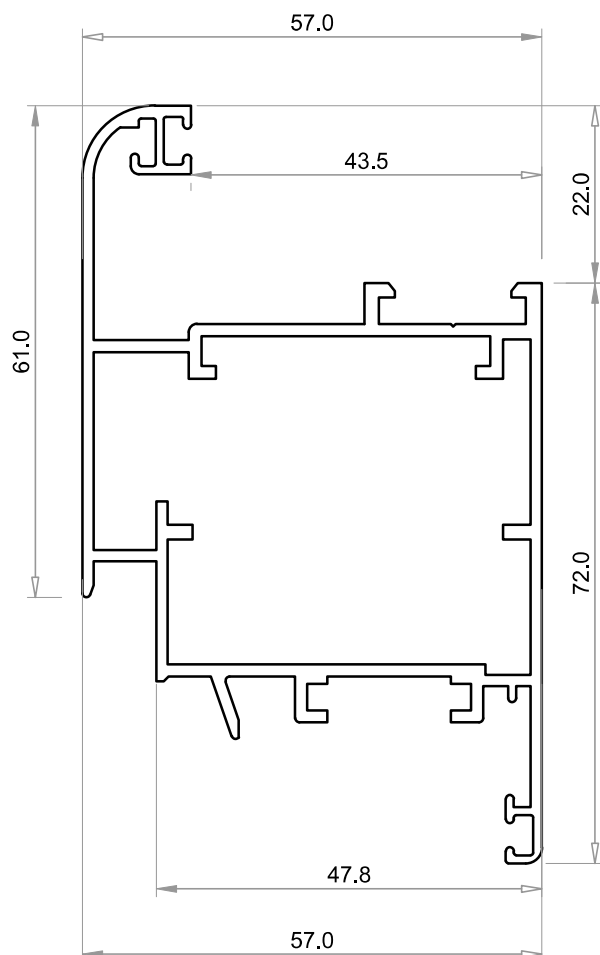
U IZRADI
IN PROGRESS



5700 13

ŠTOK
FRAME

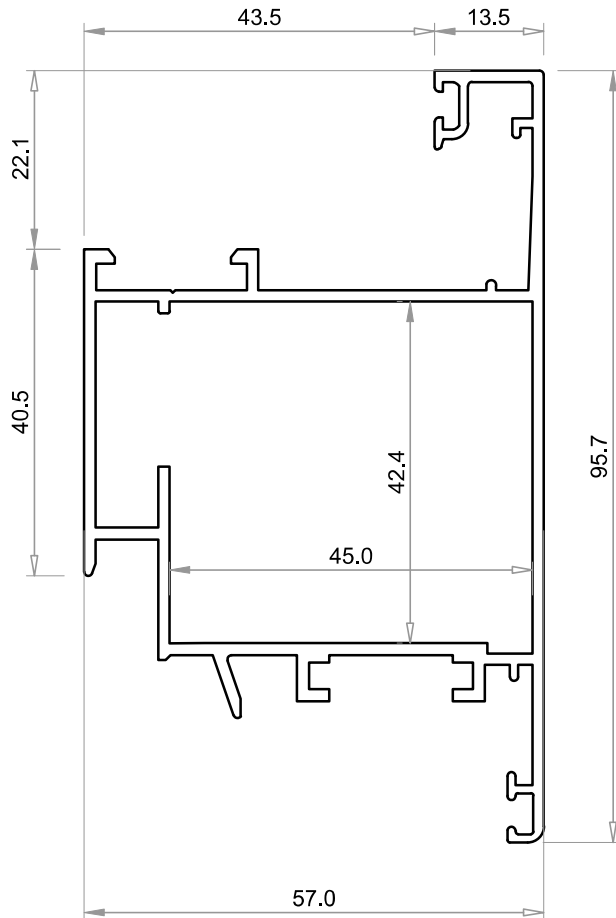
1.390 kg/m'



5700 22

KRILO VRATA
DOOR SASH

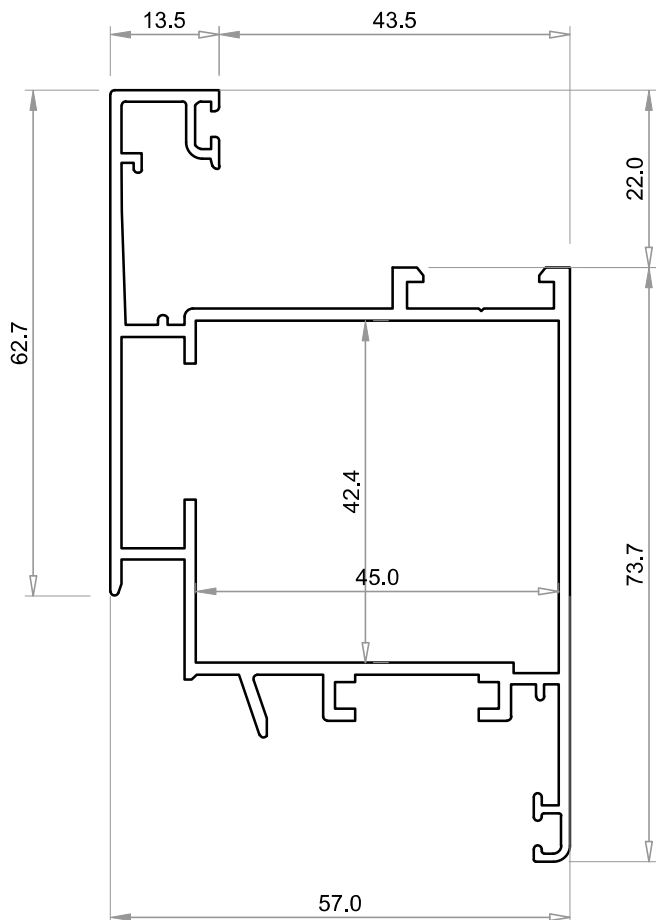
1.420 kg/m'



5700 24

KRILO VRATA
DOOR SASH

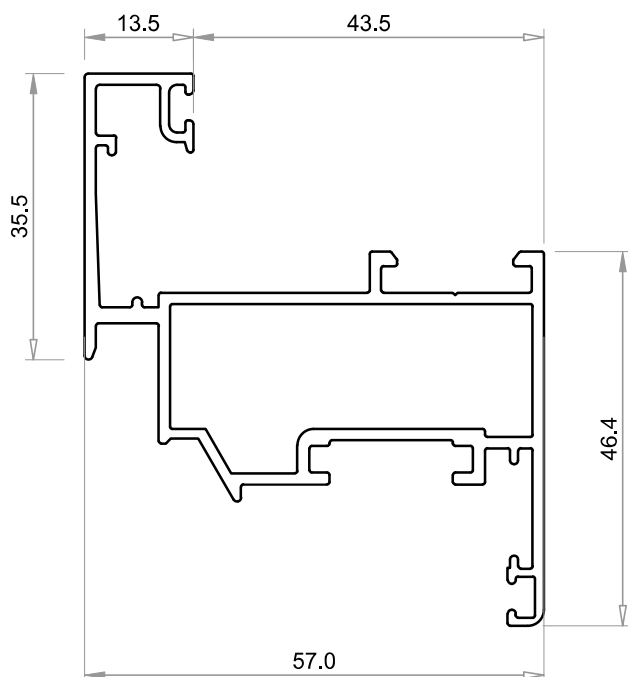
1.430 kg/m'



5700 25

KRILO VRATA
DOOR SASH

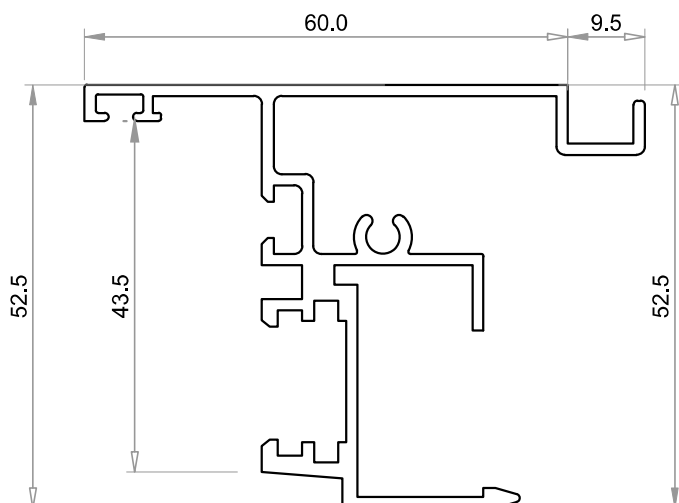
1.430 kg/m'



5700 21

KRILO VRATA
DOOR SASH

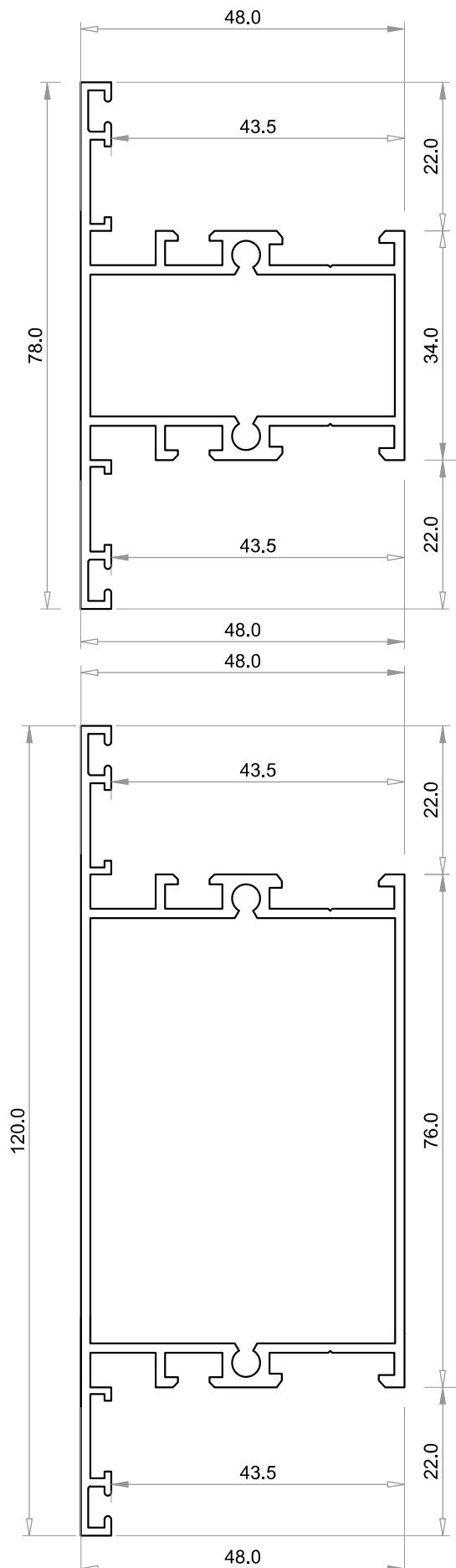
1.430 kg/m'



5700 41

SREDNJA DOPUNA
CENTRAL RABBET

1.070 kg/m'



5700 31

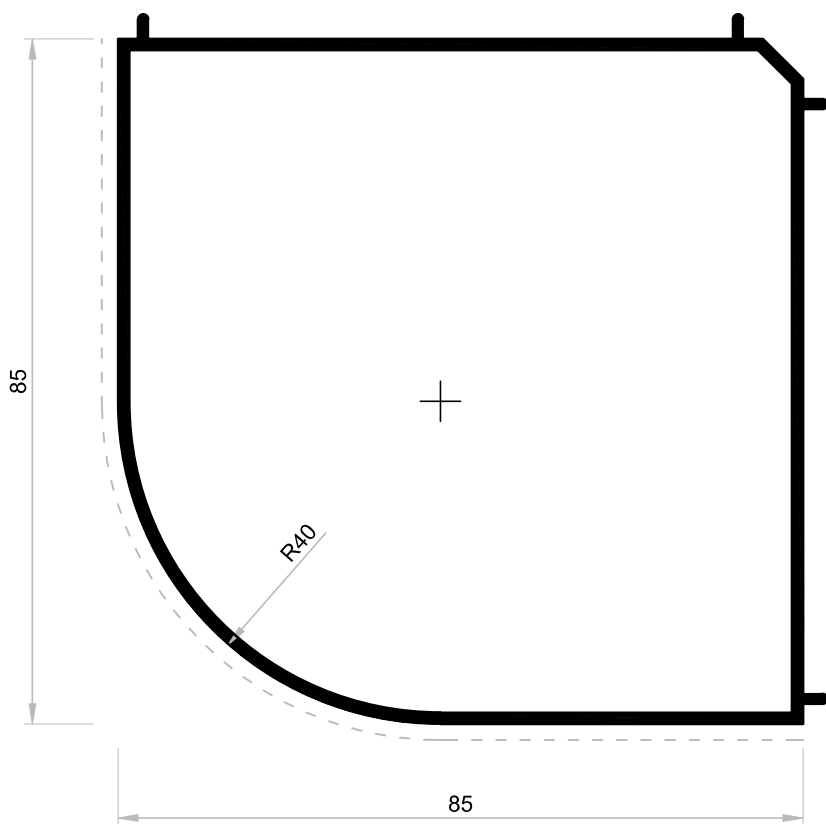
T PREČKA
T PROFILE

1.090 kg/m'

5700 35

T PREČKA
T PROFILE

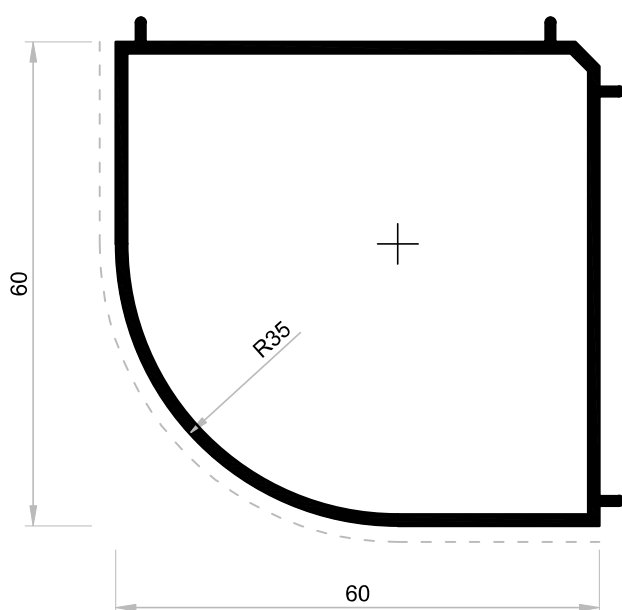
1.430 kg/m'



5700 U1*

DOPUNA ZA $< 90^\circ$ /
RABBET FOR $< 90^\circ$

1.227 kg/m'

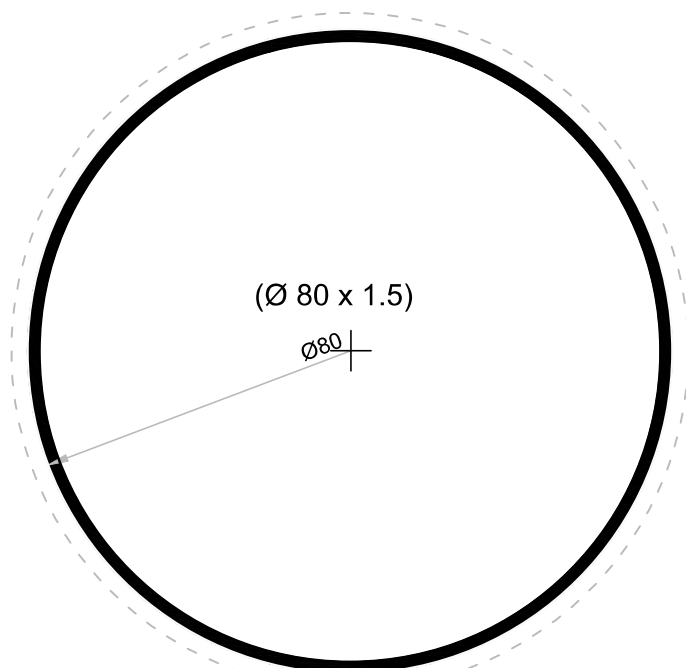


5700 U2*

DOPUNA ZA $< 90^\circ$ /
RABBET FOR $< 90^\circ$

0.862 kg/m'

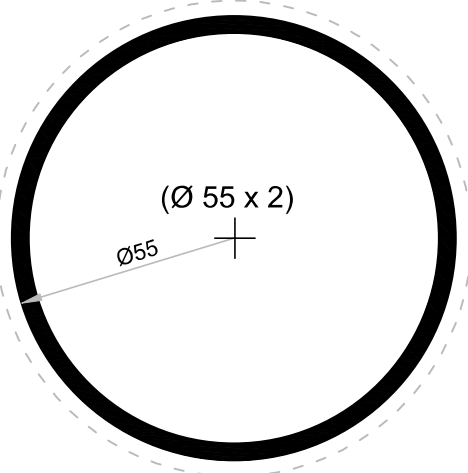
*samo po porudžbini / Only by order



5700 04*

DOPUNA /
RABBET

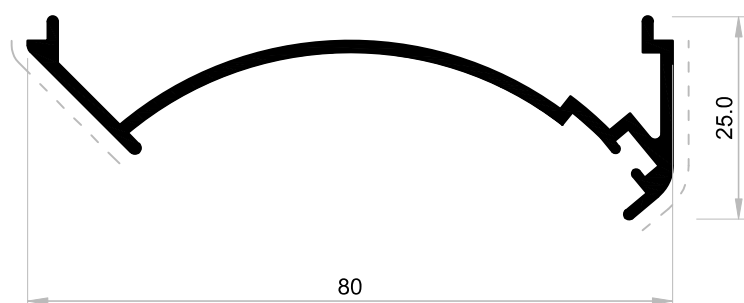
0.666 kg/m'



5700 05*

DOPUNA /
RABBET

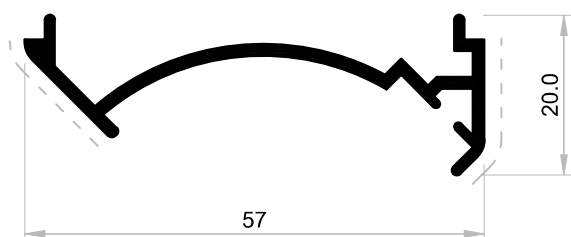
0.450 kg/m'



5700 02*

DOPUNA /
RABBET

0.507 kg/m'

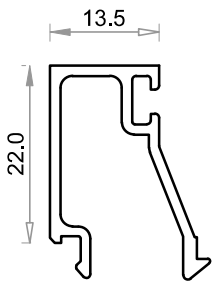


5700 03*

DOPUNA /
RABBET

0.373 kg/m'

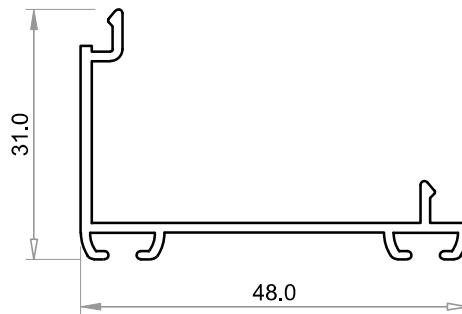
*samo po porudžbini / Only by order



KL 13.1

LAJSNA / GLAZING BEAD

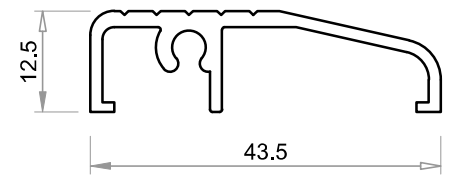
0,300 kg/m'



5700 53

NOSAČ ČETKE/
BRUSH RABBET SEAL

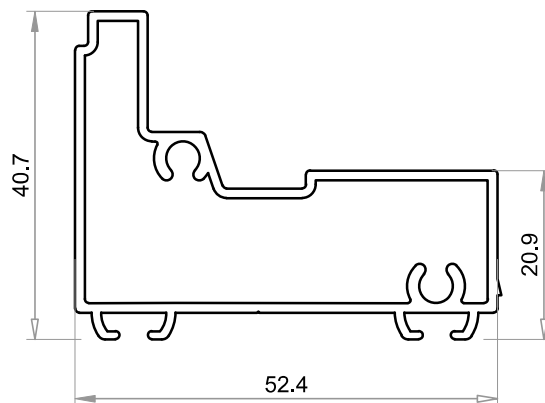
0,340 kg/m'



5700 50

PRAG / TRASHOLD

0,390 kg/m'

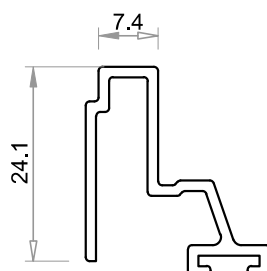


5700 60*

NOSAČ ČETKE/
BRUSH RABBET SEAL

0.750 kg/m'

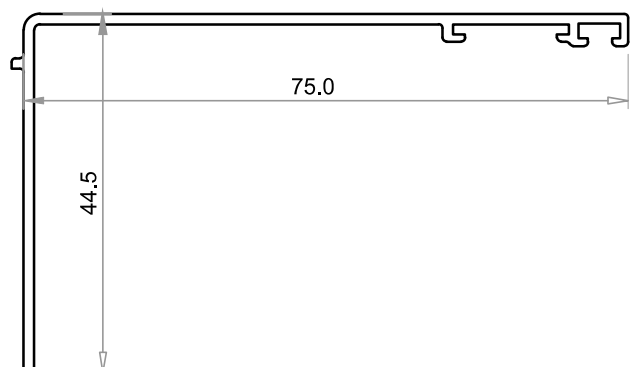
U IZRADI
IN PROGRESS



NC 3

NOSAČ ČETKE/
BRUSH RABBET SEAL

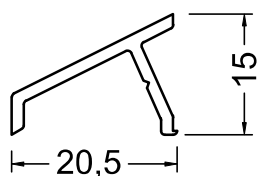
0.300 kg/m'



PR 75*

PERVAJZ LAJSNA
3829

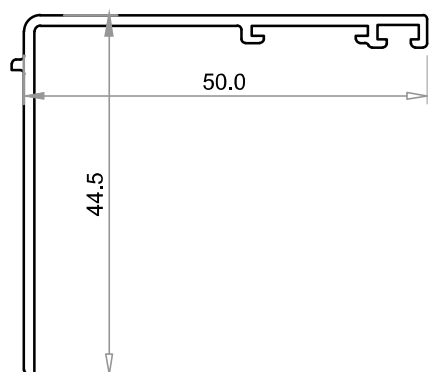
0.465 kg/m'



OK1

OKAPNICA

0.16 kg/m'



PR 50*

PERVAJZ LAJSNA
3828

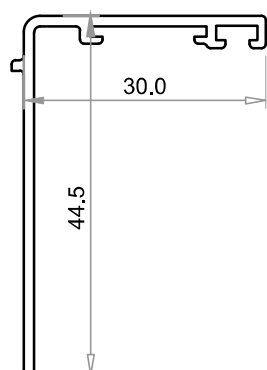
0.375 kg/m'



NČ1

NOSAČ ČETKE

0.13 kg/m'

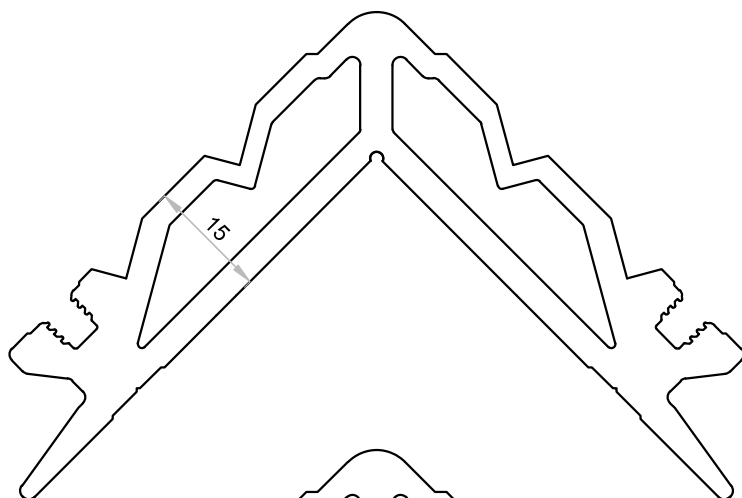


PR 30*

PERVAJZ LAJSNA
3827

0.30 kg/m'

*samo po porudžbini / Only by order

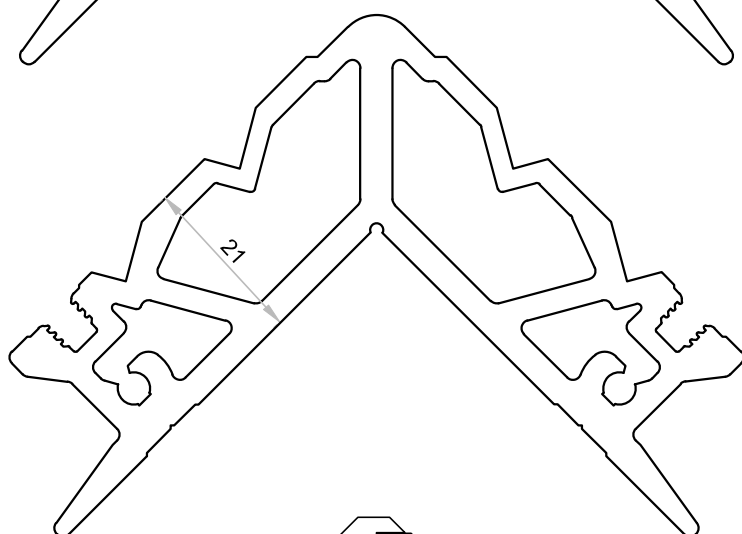


T 15-44

1005

PROFIL SPOJNICE /
JOINT CORNER PROFILE

2.64 kg/m'

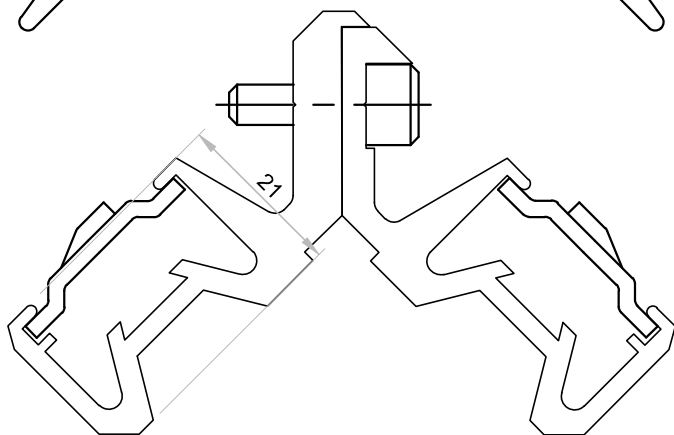


H 21-44

1004

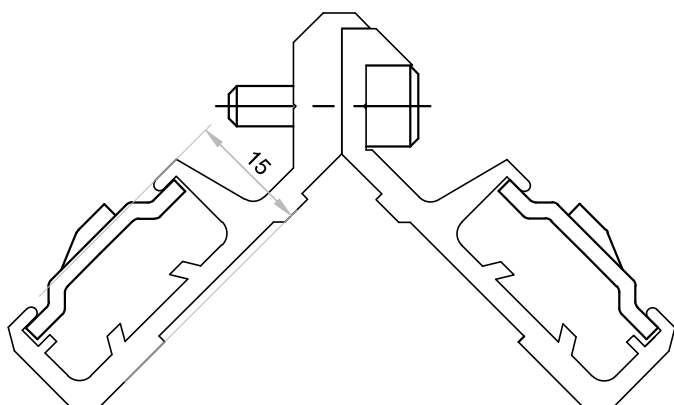
PROFIL SPOJNICE /
JOINT CORNER PROFILE

2.90 kg/m'



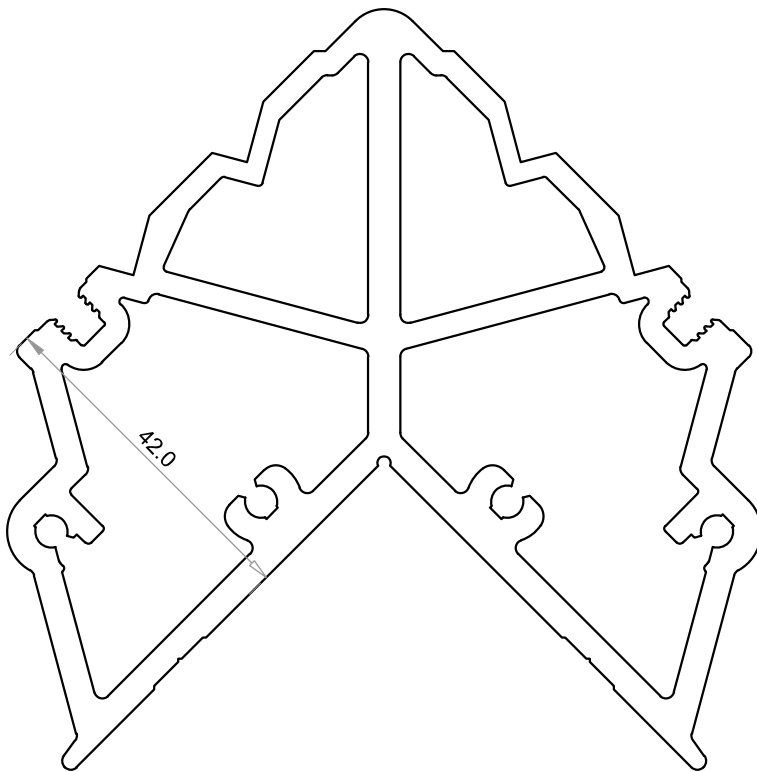
PROFIL SPOJNICE
JOINT CORNER PROFILE

MS 21.2 (25mm)
MS 21.3 (44mm)



PROFIL SPOJNICE
JOINT CORNER PROFILE

MS 15.2 (44 mm)

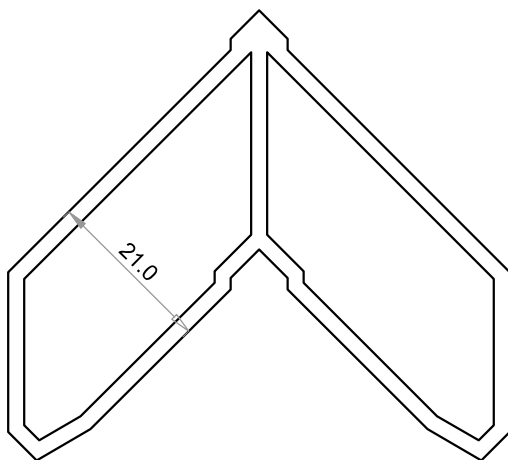


T 42-44
(44mm)

1006

PROFIL SPOJNICE /
JOINT CORNER PROFILE

4.35 kg/m'

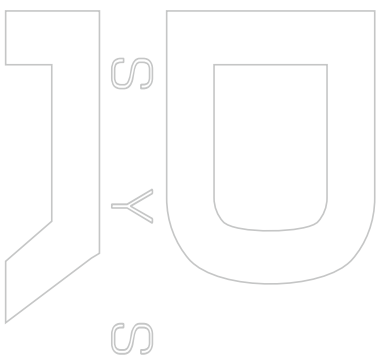
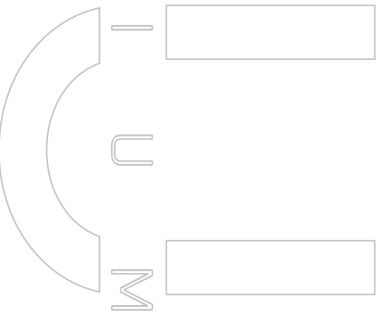
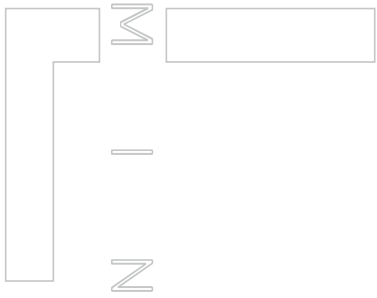
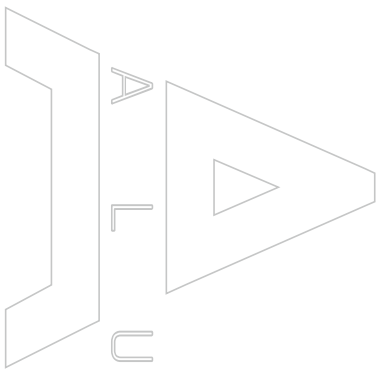


D 21.3

K 1364

PROFIL SPOJNICE /
JOINT CORNER PROFILE

1.350 kg/m'



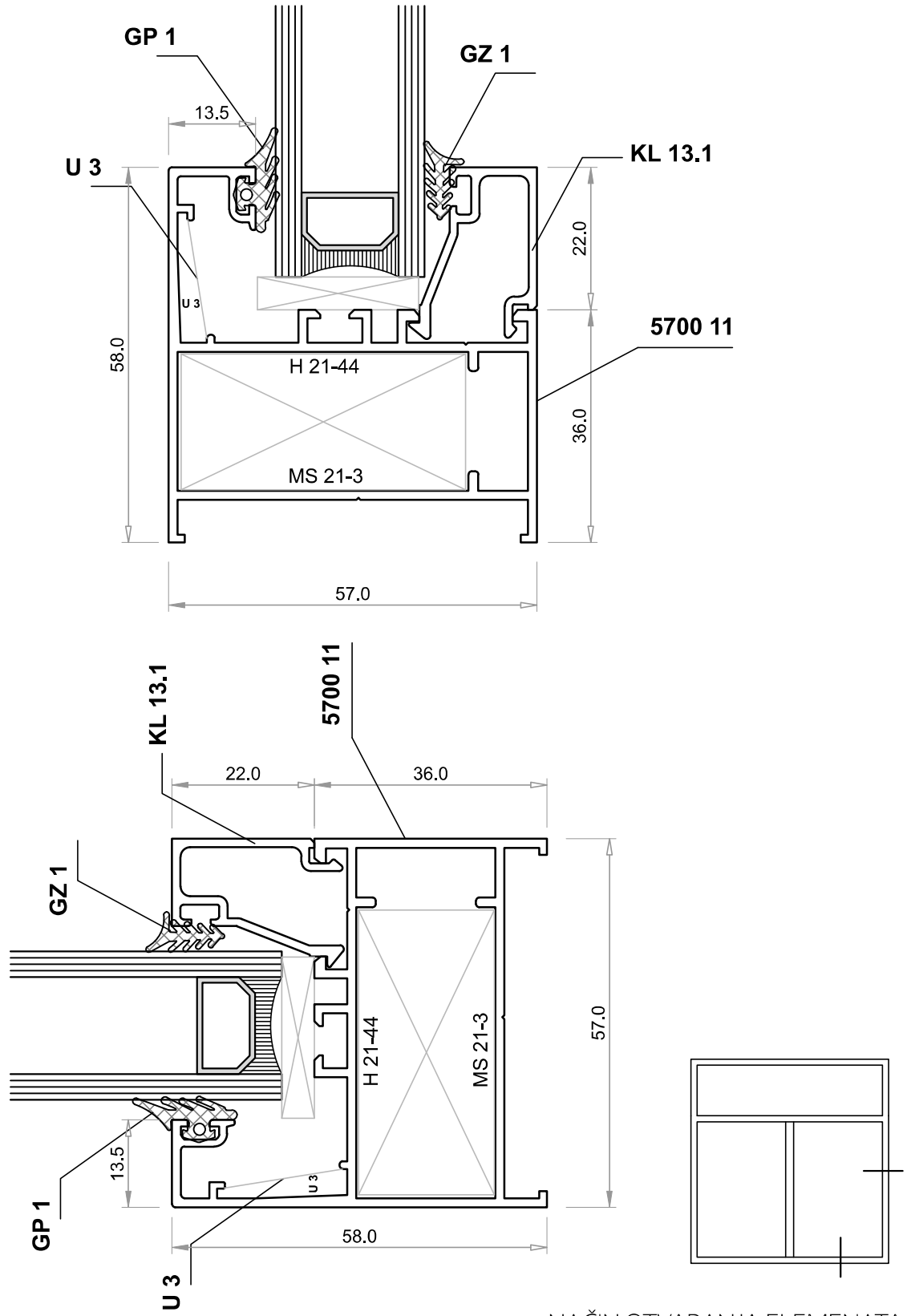
D SEGMENT

DETALJI ELEMENATA

DETAILS OF ELEMENTS

KARAKTERISTIČAN PRESEK PROFILA
CHARACTERISTIC CUT PROFILE

DETALJ / DETAIL
1

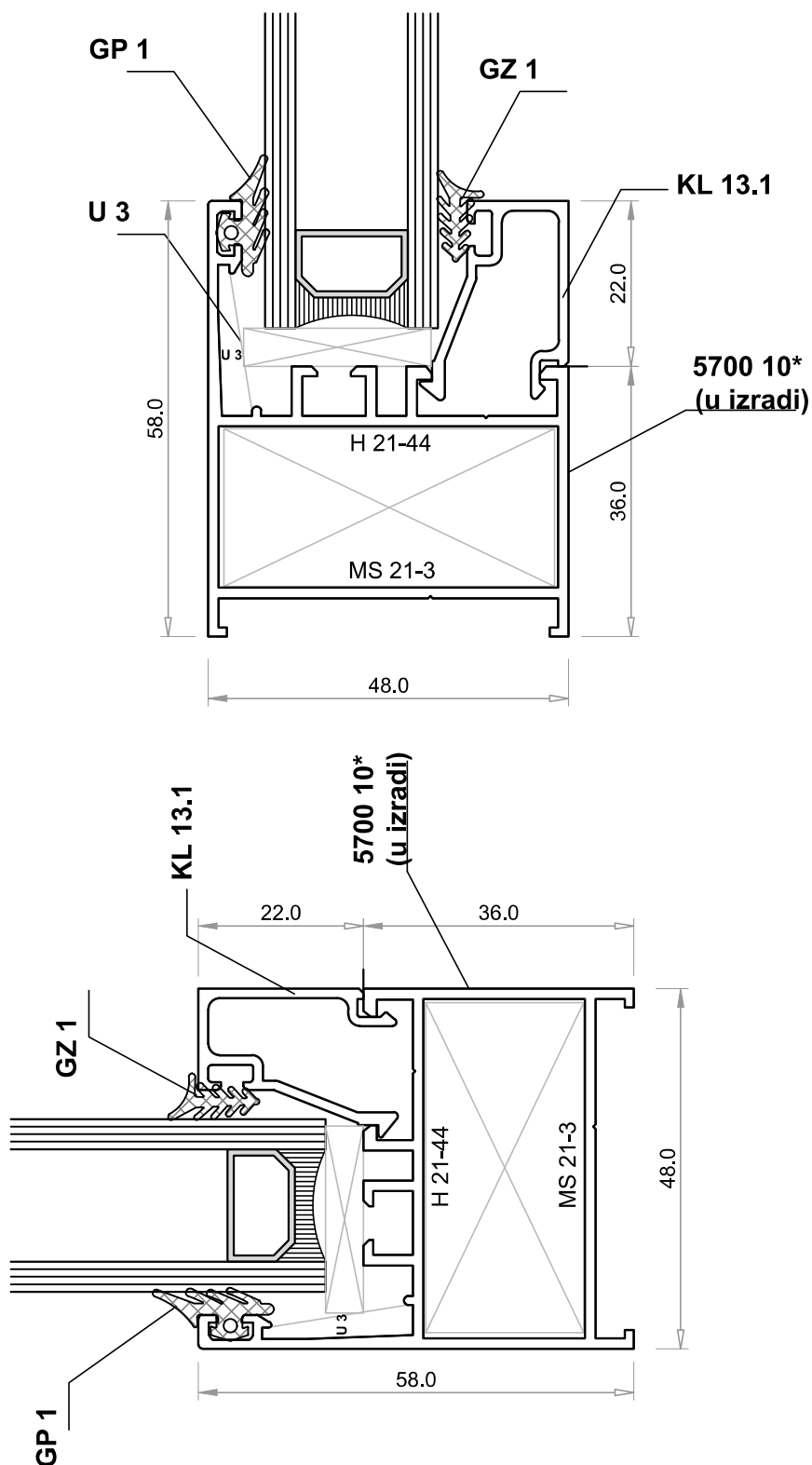


NAČIN OTVARANJA ELEMENATA
MODE OF OPENING ELEMENTS

KARAKTERISTIČAN PRESEK PROFILA
CHARACTERISTIC CUT PROFILE

DETALJ / DETAIL

2

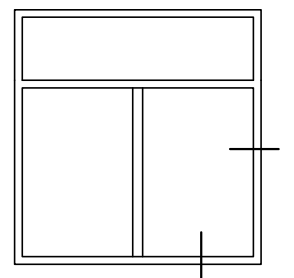
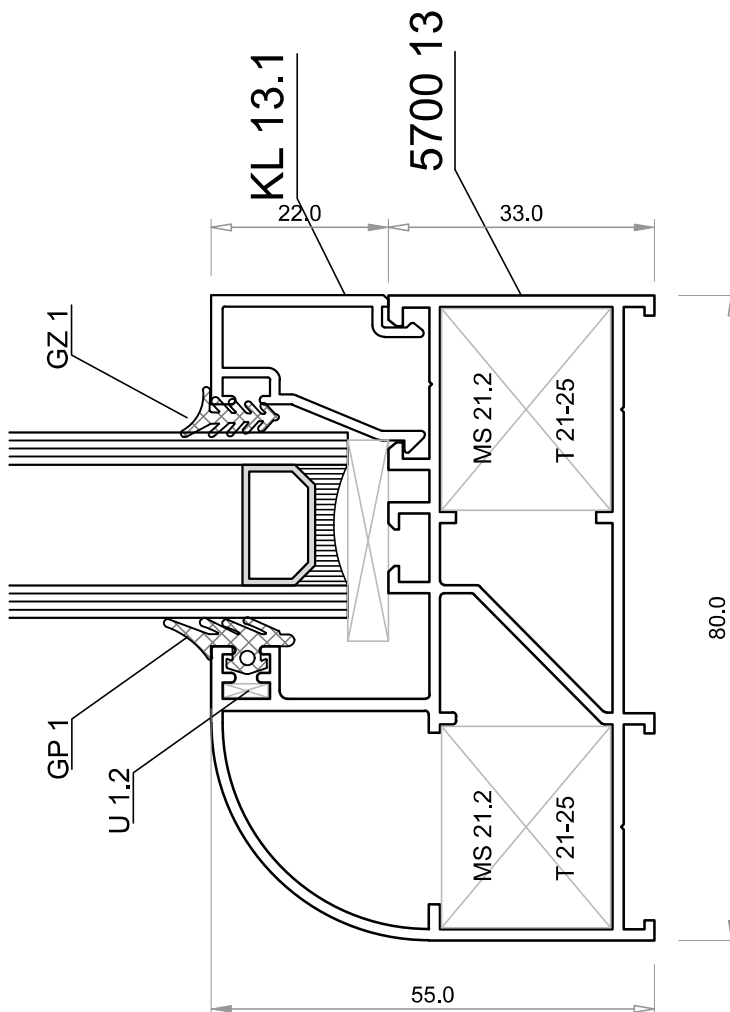
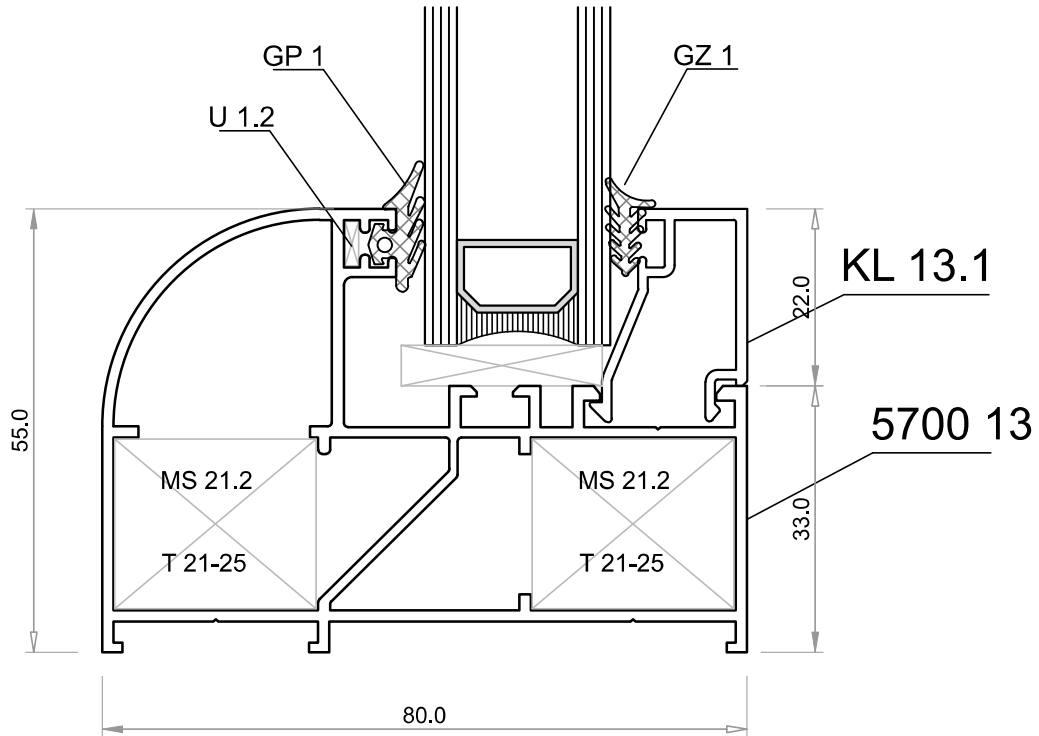


NAČIN OTVARANJA ELEMENATA
MODE OF OPENING ELEMENTS

KARAKTERISTIČAN PRESEK PROFILA
CHARACTERISTIC CUT PROFILE

DETALJ / DETAIL

3

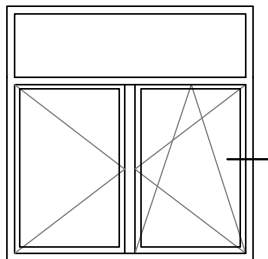


NAČIN OTVARANJA ELEMENATA
MODE OF OPENING ELEMENTS

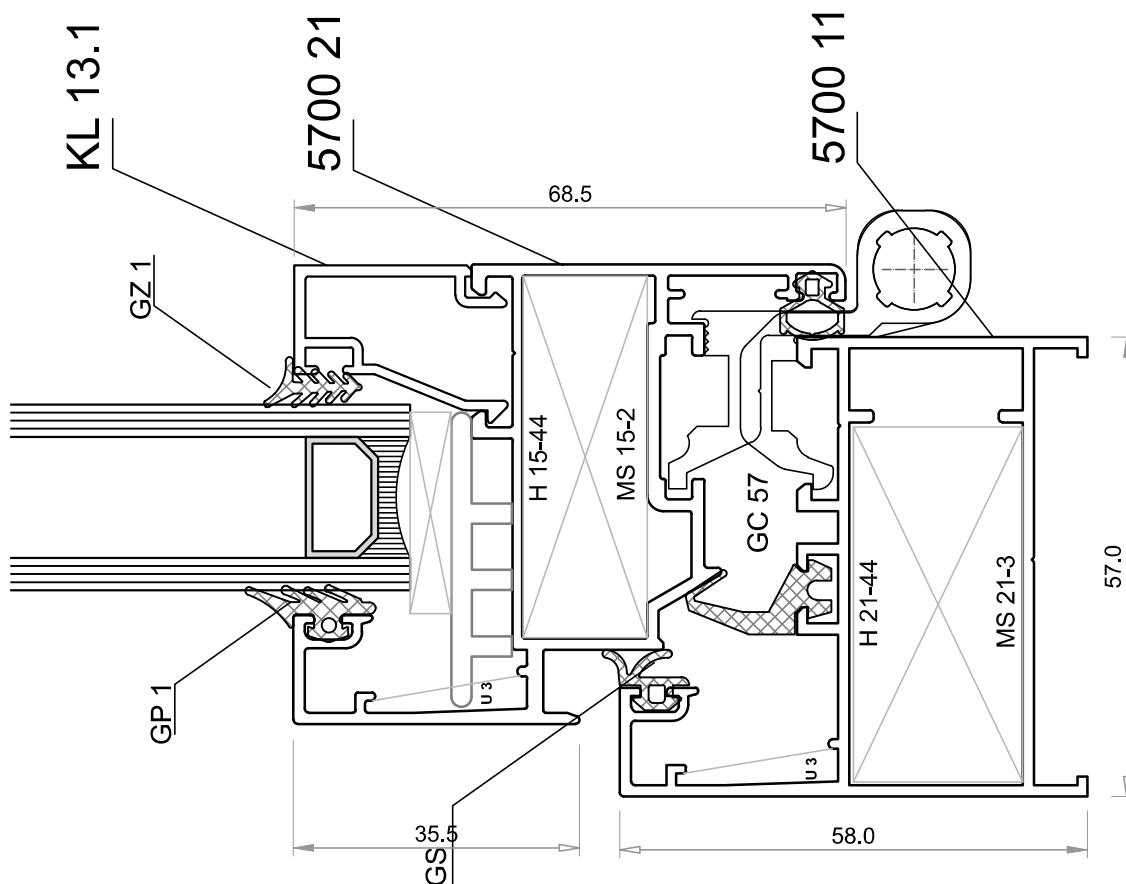
NAČIN OTVARANJA ELEMENATA
MODE OF OPENING ELEMENTS

DETALJ / DETAIL

4

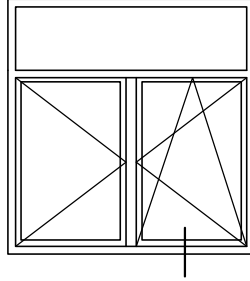


KARAKTERISTIČAN PRESEK PROFILA
CHARACTERISTIC CUT PROFILE

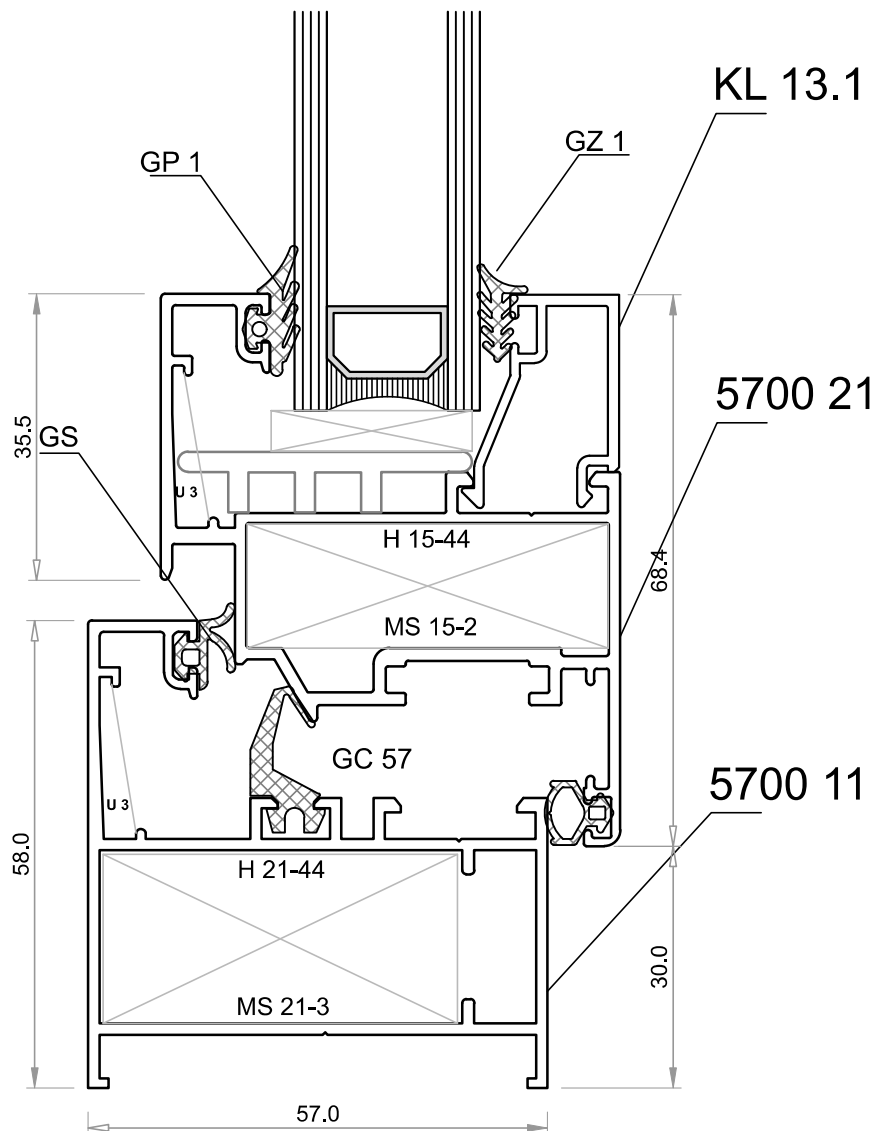


NAČIN OTVARANJA ELEMENATA
MODE OF OPENING ELEMENTS

DETALJ / DETAIL
5



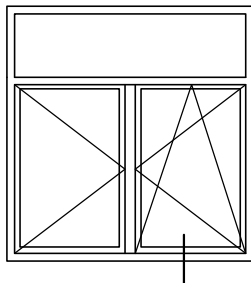
KARAKTERISTIČAN PRESEK PROFILA
CHARACTERISTIC CUT PROFILE



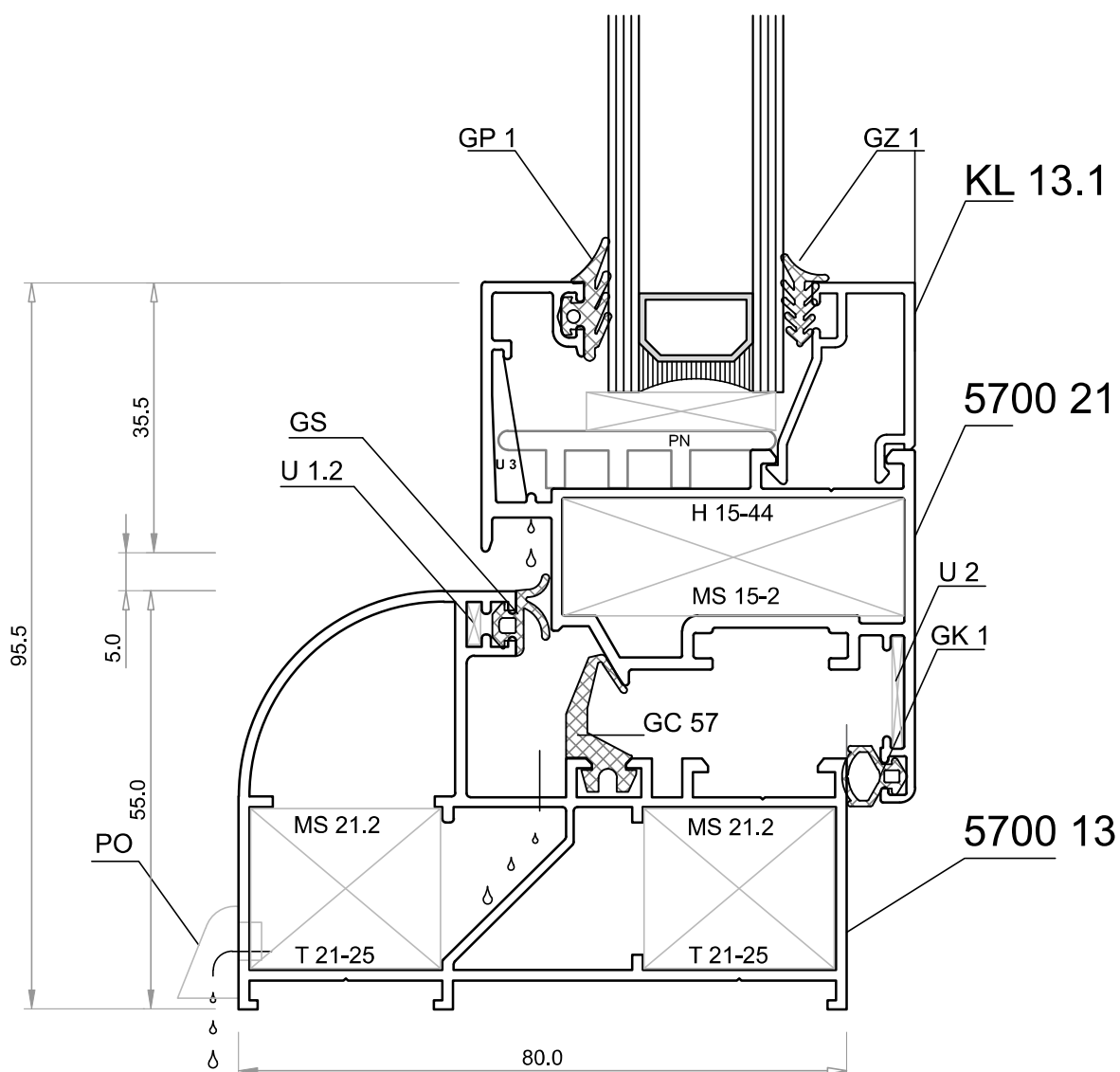
DETALJ / DETAIL

6

KARAKTERISTIČAN PRESEK PROFILA
CHARACTERISTIC CUT PROFILE



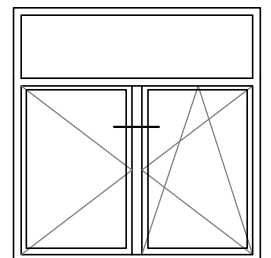
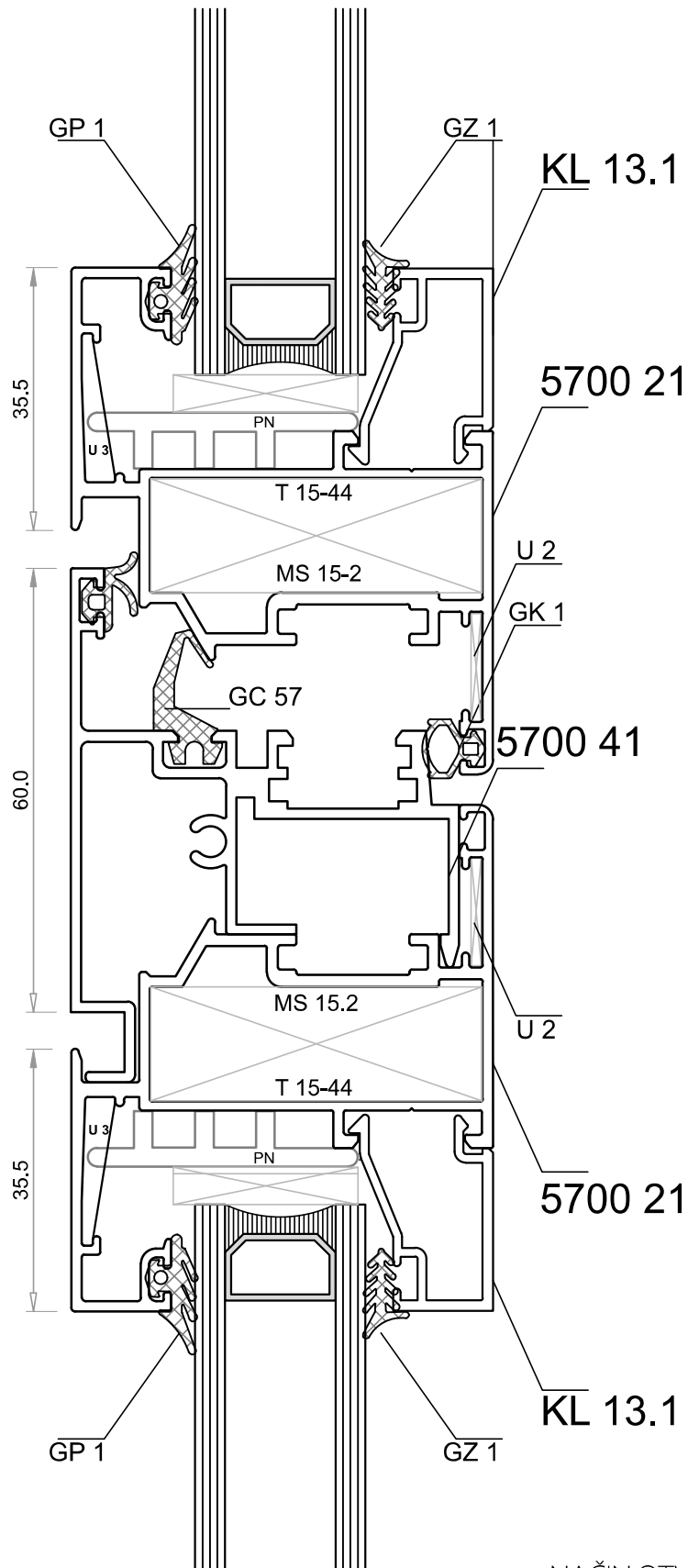
KARAKTERISTIČAN PRESEK PROFILA
CHARACTERISTIC CUT PROFILE



KARAKTERISTIČAN PRESEK PROFILA
CHARACTERISTIC CUT PROFILE

DETALJ / DETAIL

7

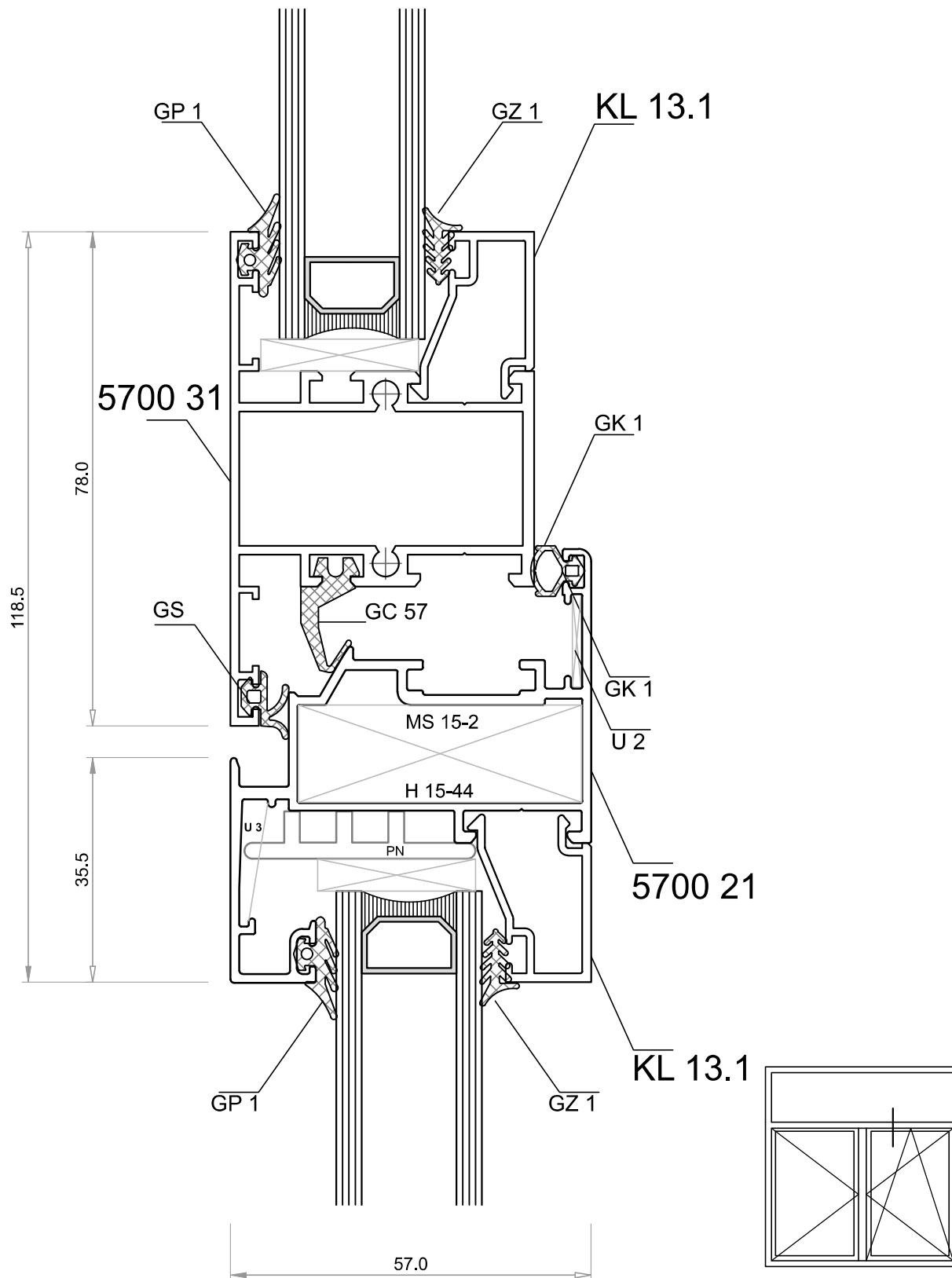


NAČIN OTVARANJA ELEMENATA
MODE OF OPENING ELEMENTS

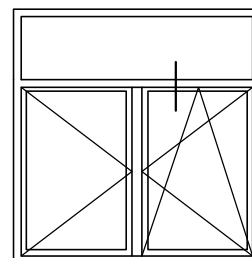
KARAKTERISTIČAN PRESEK PROFILA
CHARACTERISTIC CUT PROFILE

DETALJ / DETAIL

8



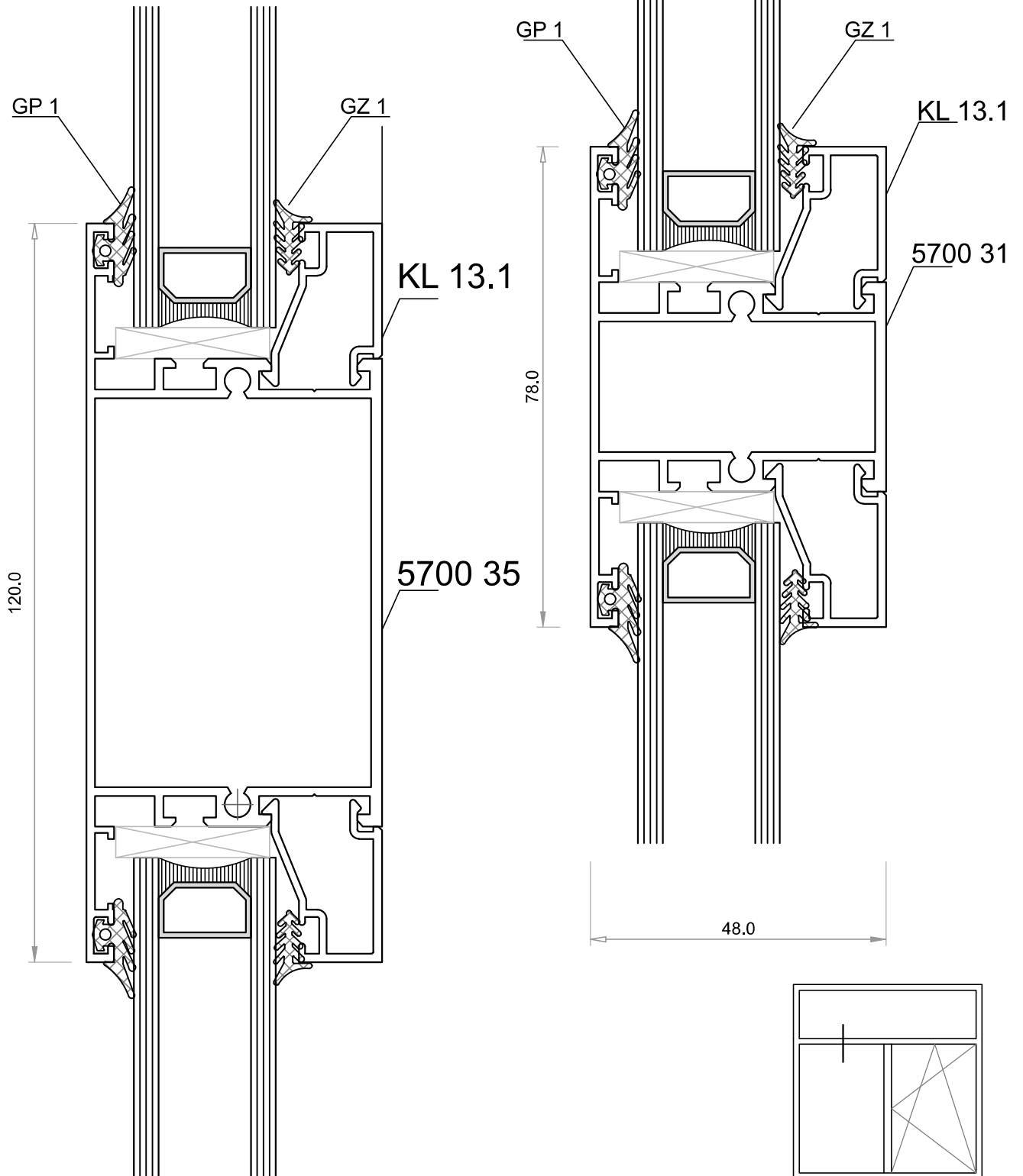
NAČIN OTVARANJA ELEMENATA
MODE OF OPENING ELEMENTS



KARAKTERISTIČAN PRESEK PROFILA
CHARACTERISTIC CUT PROFILE

DETALJ / DETAIL

9

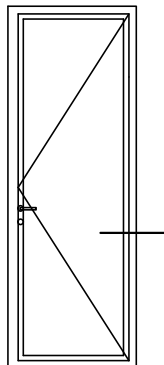


NAČIN OTVARANJA ELEMENATA
MODE OF OPENING ELEMENTS

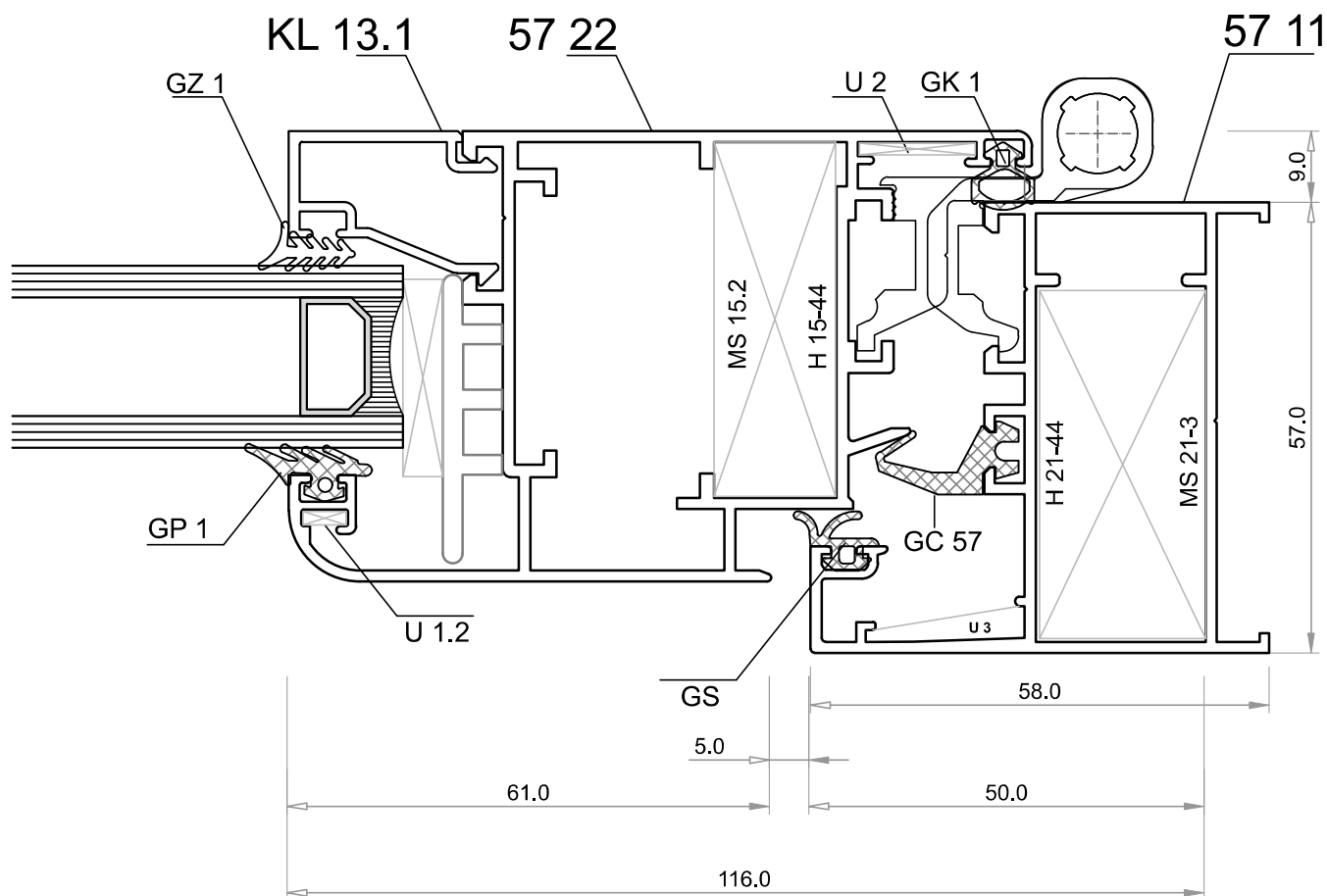
DETALJ / DETAIL

10

NAČIN OTVARANJA ELEMENATA
MODE OF OPENING ELEMENTS

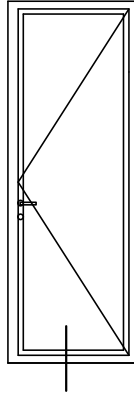


KARAKTERISTIČAN PRESEK PROFILA
CHARACTERISTIC CUT PROFILE

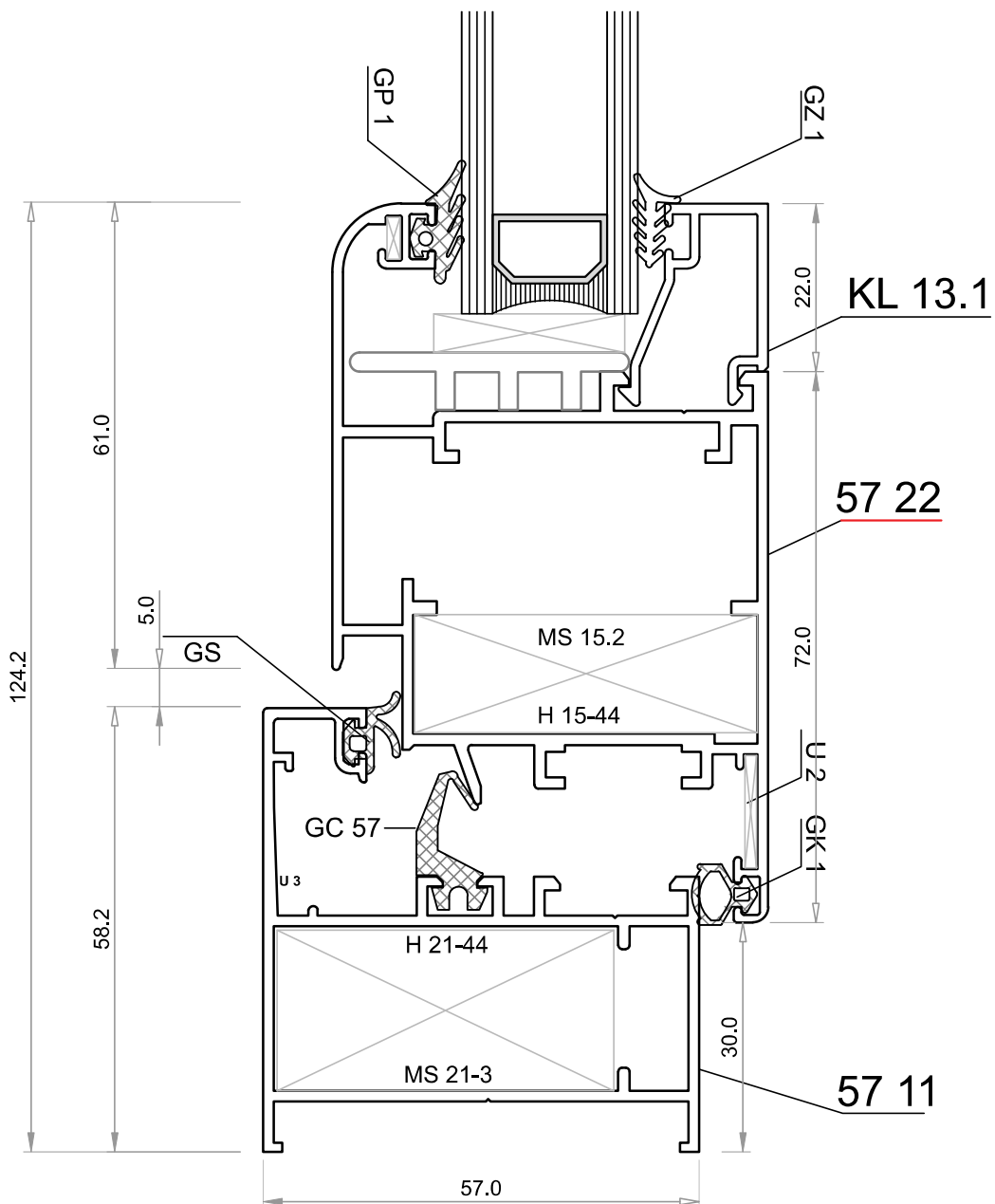


NAČIN OTVARANJA ELEMENATA
MODE OF OPENING ELEMENTS

DETALJ / DETAIL
11



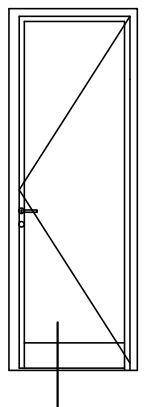
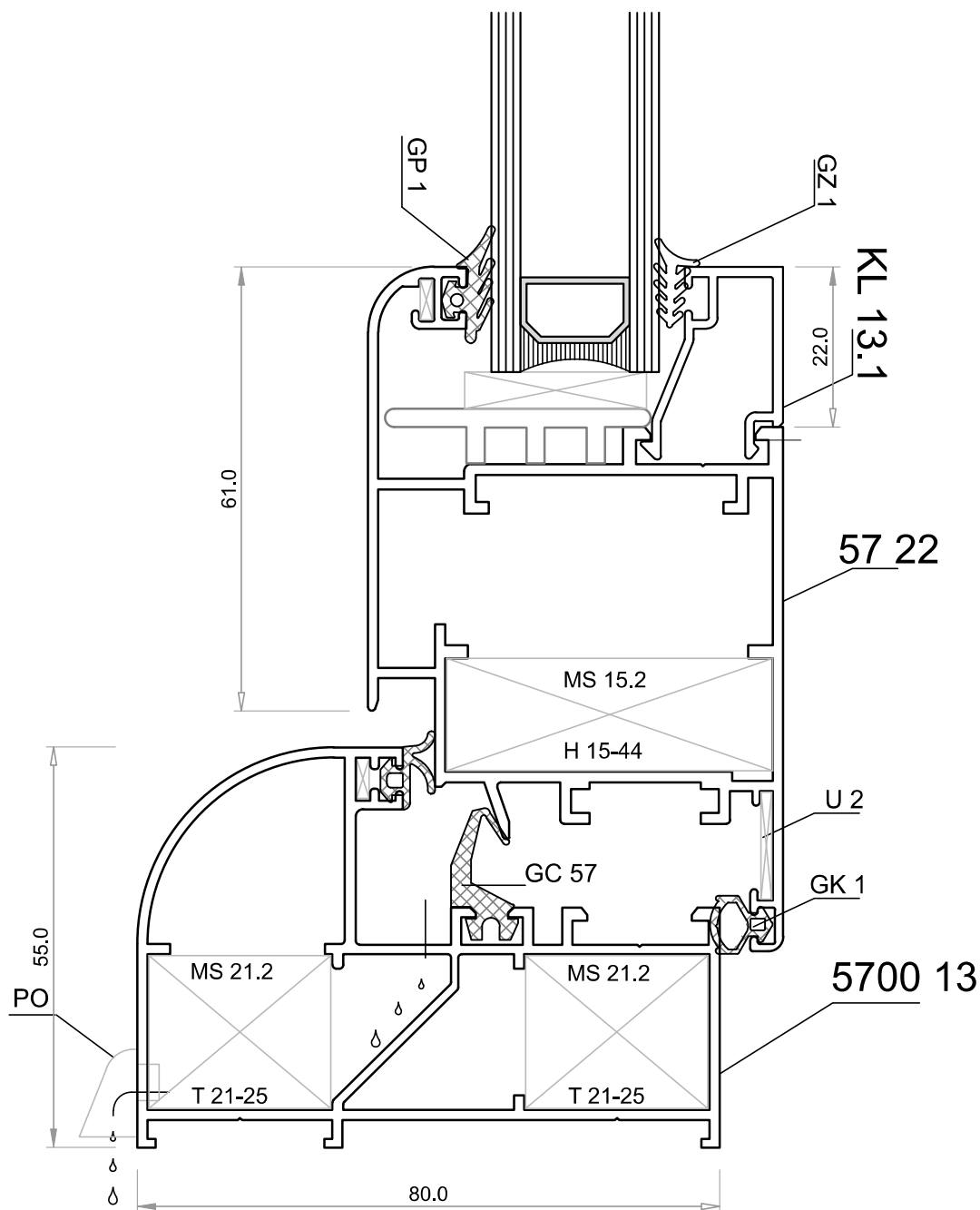
KARAKTERISTIČAN PRESEK PROFILA
CHARACTERISTIC CUT PROFILE



KARAKTERISTIČAN PRESEK PROFILA
CHARACTERISTIC CUT PROFILE

DETALJ / DETAIL

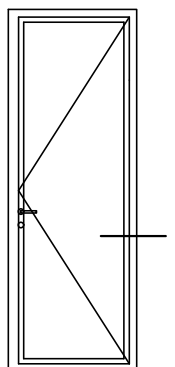
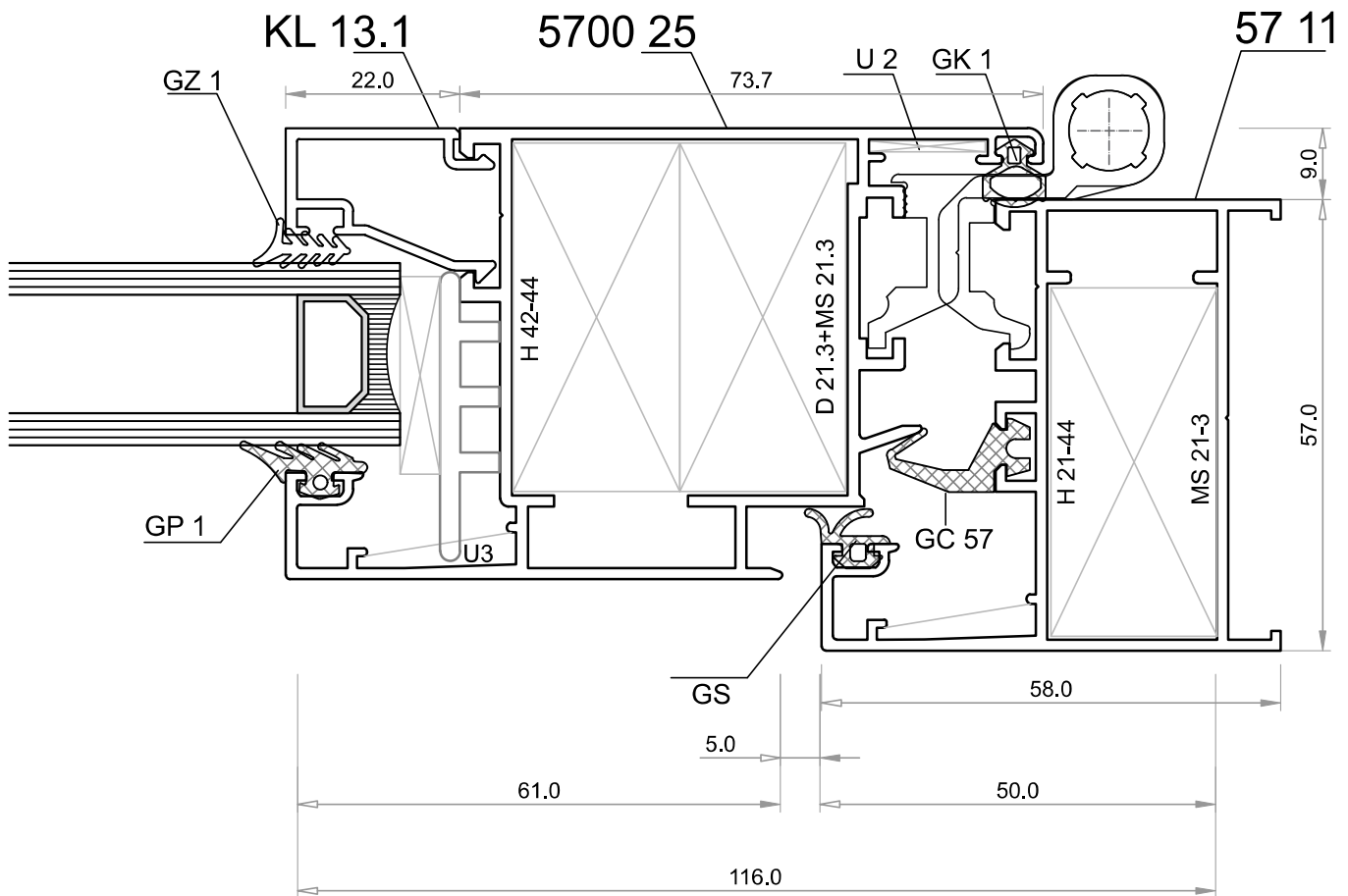
12



NAČIN OTVARANJA ELEMENATA
MODE OF OPENING ELEMENTS

KARAKTERISTIČAN PRESEK PROFILA
CHARACTERISTIC CUT PROFILE

DETALJ / DETAIL
13

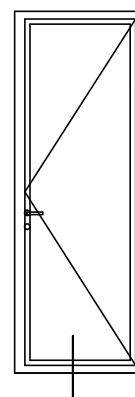
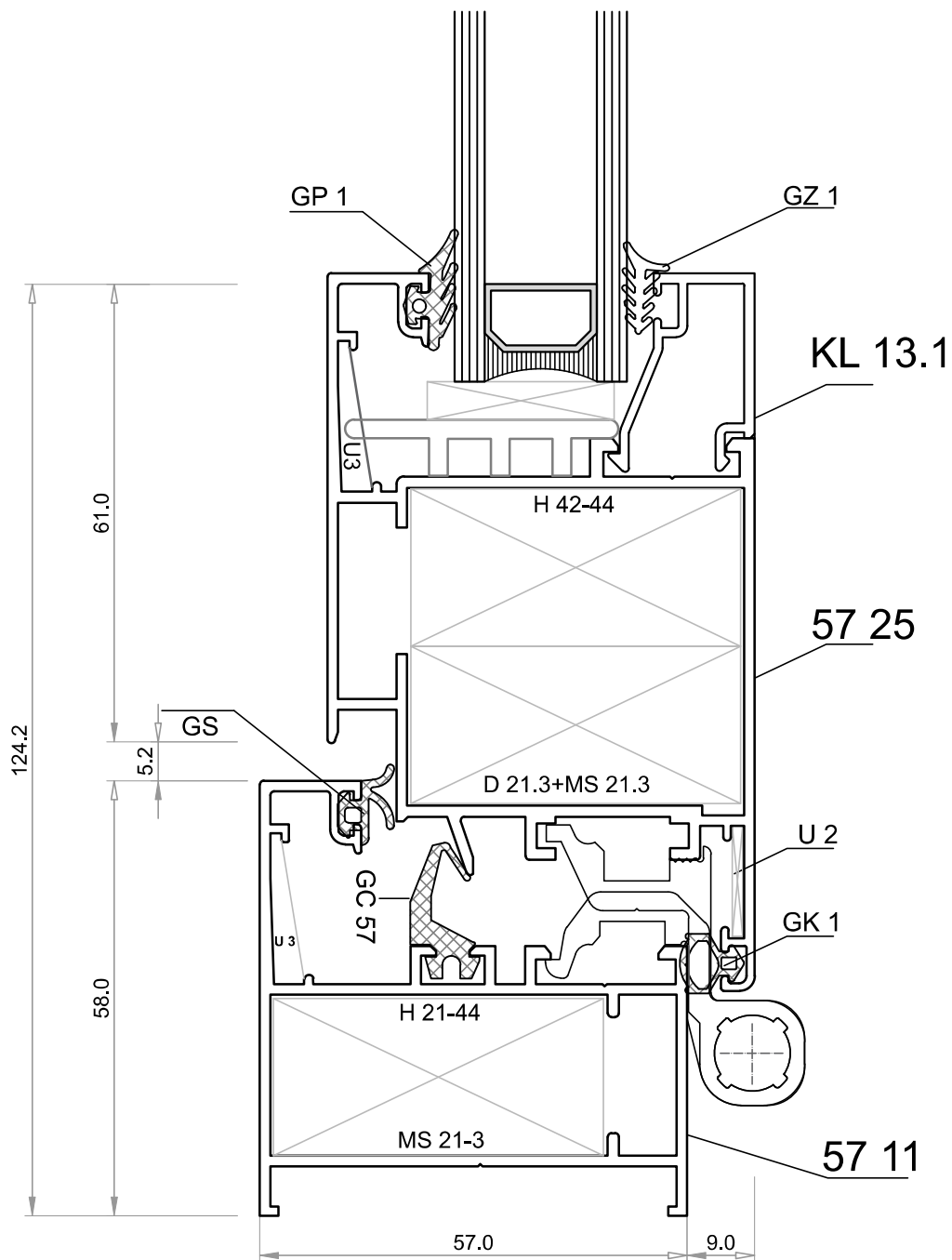


NAČIN OTVARANJA ELEMENATA
MODE OF OPENING ELEMENTS

KARAKTERISTIČAN PRESEK PROFILA
CHARACTERISTIC CUT PROFILE

DETALJ / DETAIL

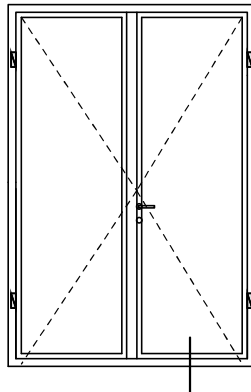
14



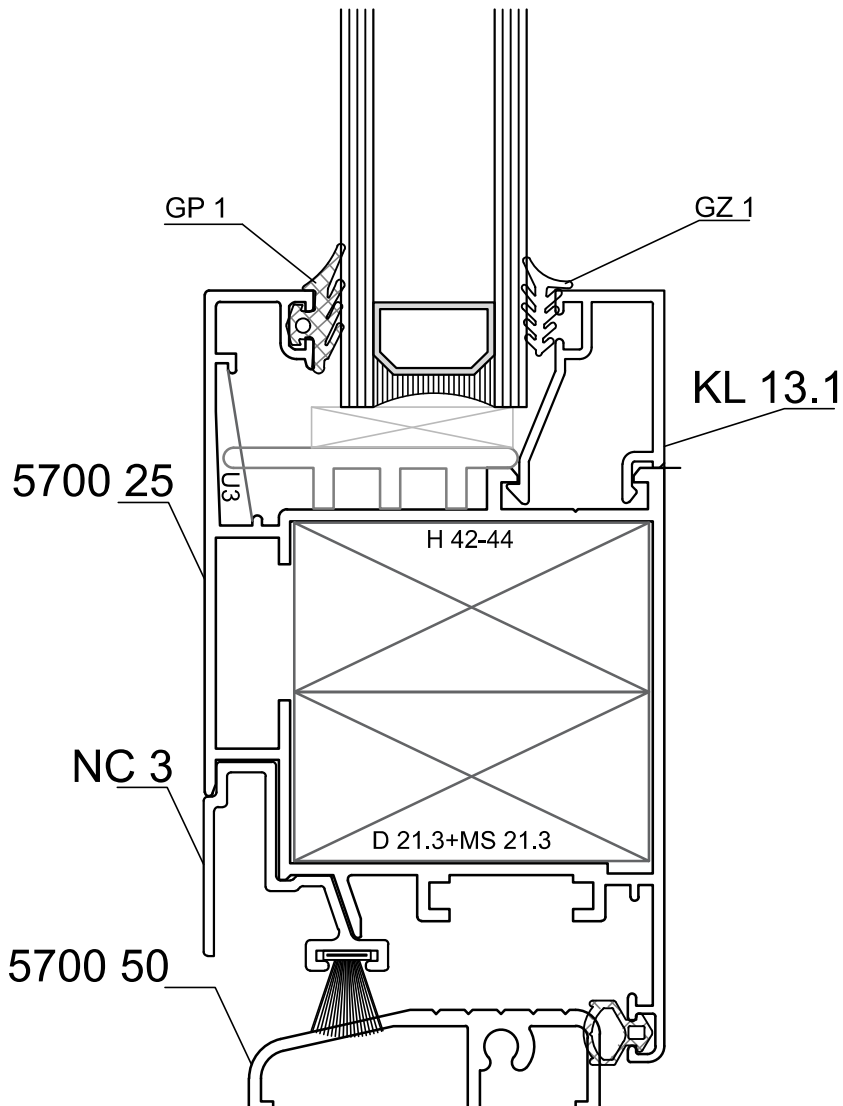
NAČIN OTVARANJA ELEMENATA
MODE OF OPENING ELEMENTS

NAČIN OTVARANJA ELEMENATA
MODE OF OPENING ELEMENTS

DETALJ / DETAIL
15



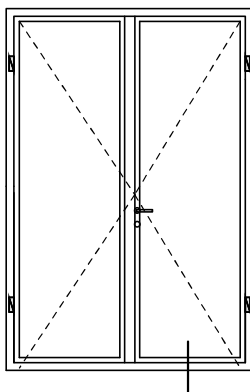
KARAKTERISTIČAN PRESEK PROFILA
CHARACTERISTIC CUT PROFILE



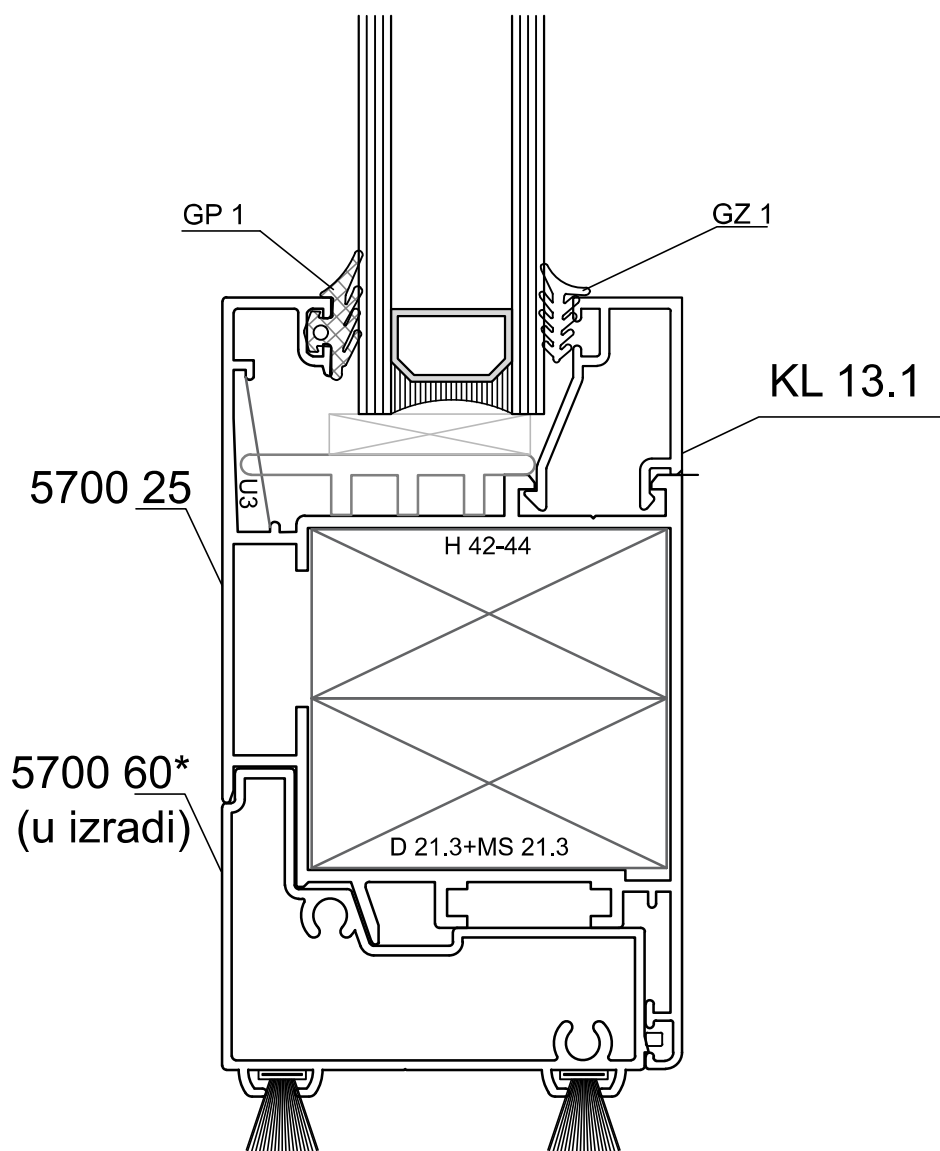
DETALJ / DETAIL

16

NAČIN OTVARANJA ELEMENATA
MODE OF OPENING ELEMENTS

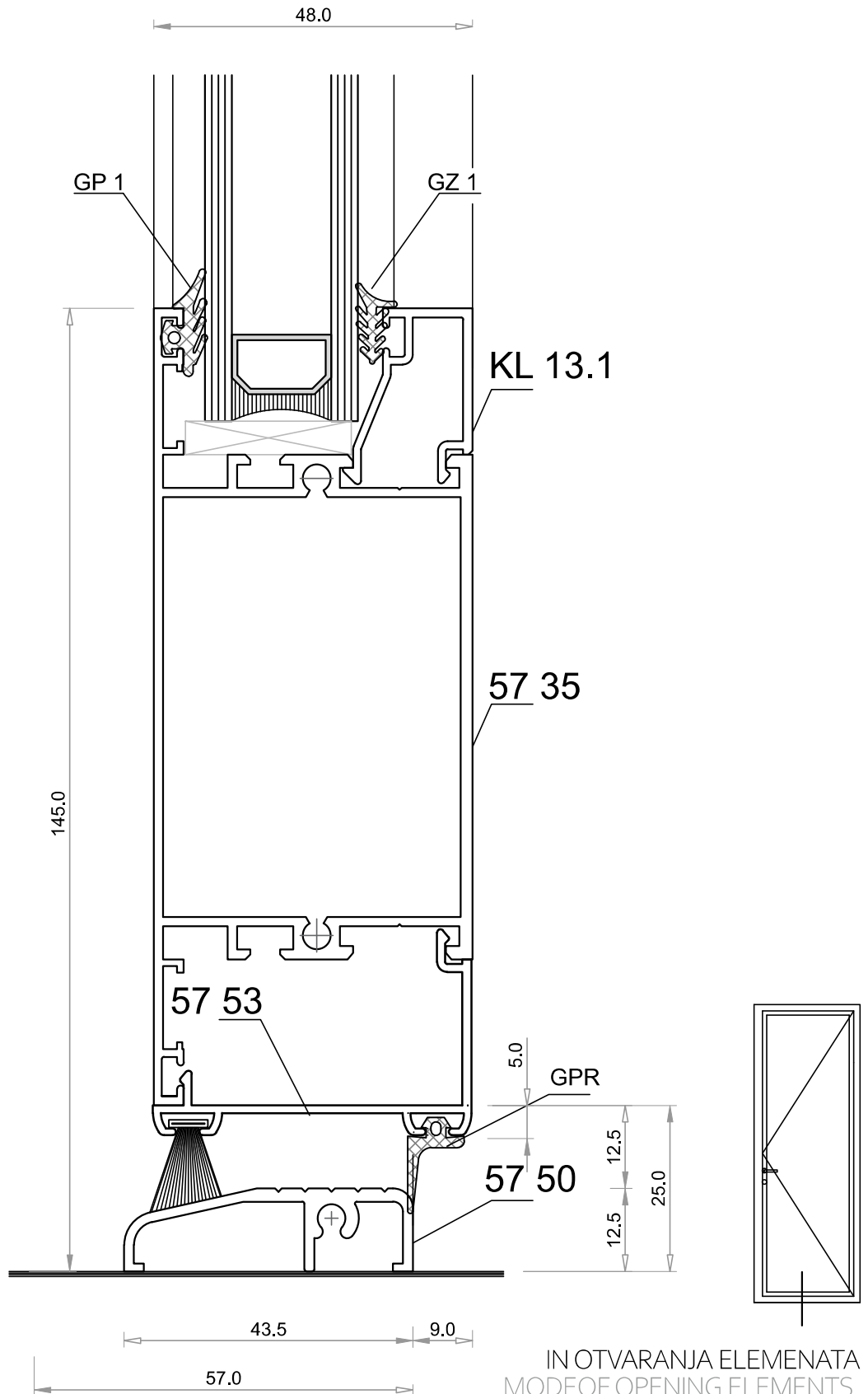


KARAKTERISTIČAN PRESEK PROFILA
CHARACTERISTIC CUT PROFILE



KARAKTERISTIČAN PRESEK PROFILA
CHARACTERISTIC CUT PROFILE

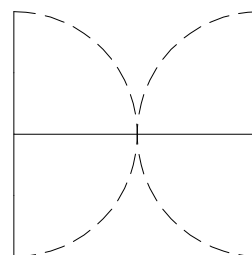
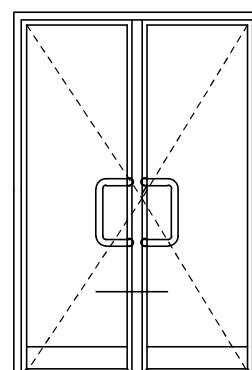
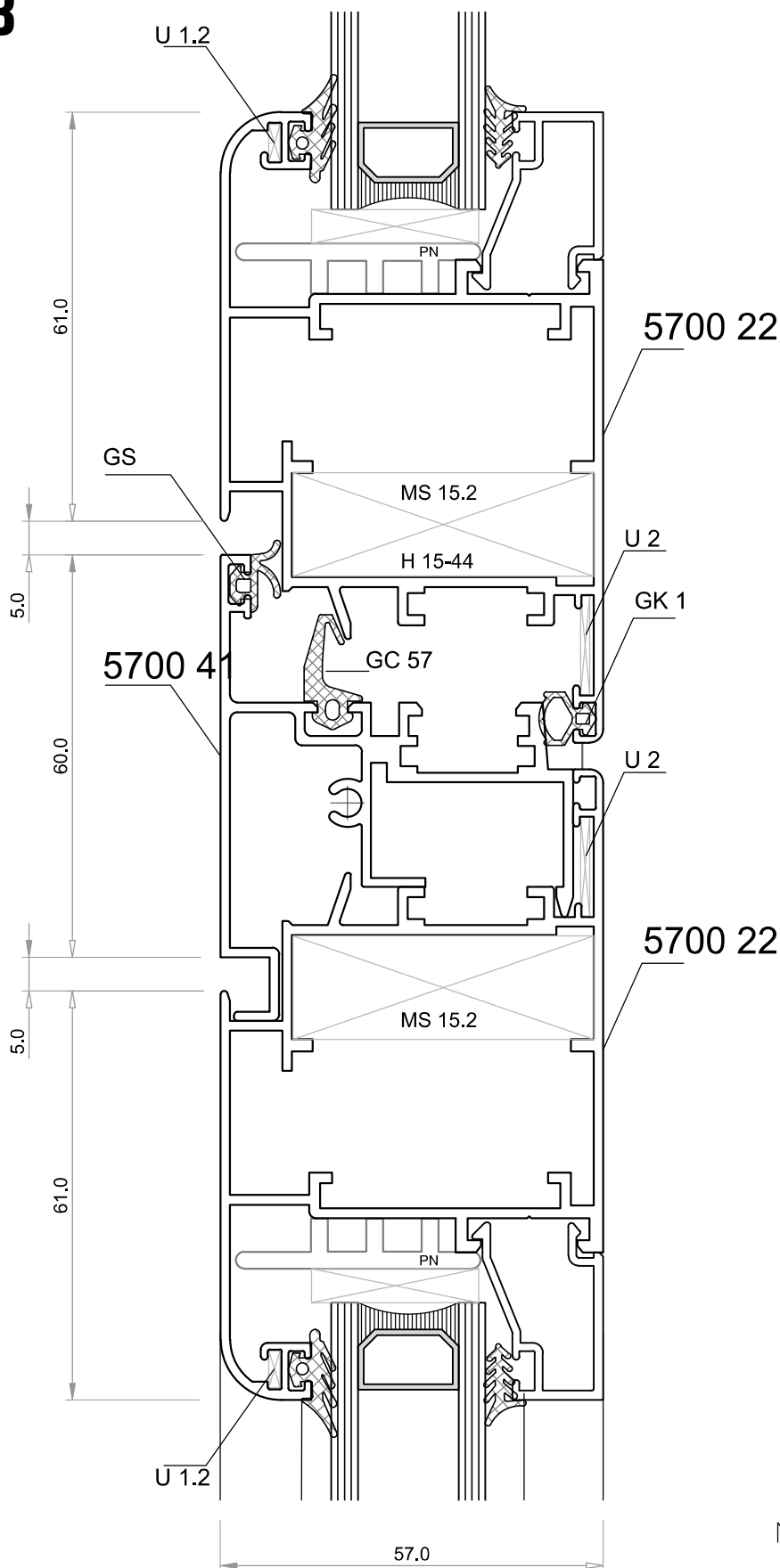
DETALJ / DETAIL
17



KARAKTERISTIČAN PRESEK PROFILA
CHARACTERISTIC CUT PROFILE

DETALJ / DETAIL

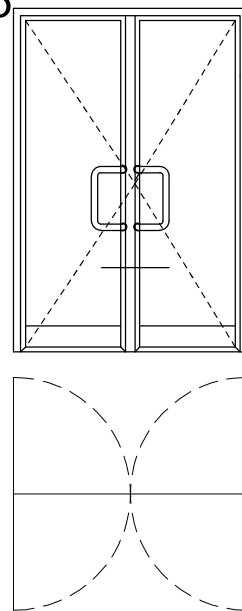
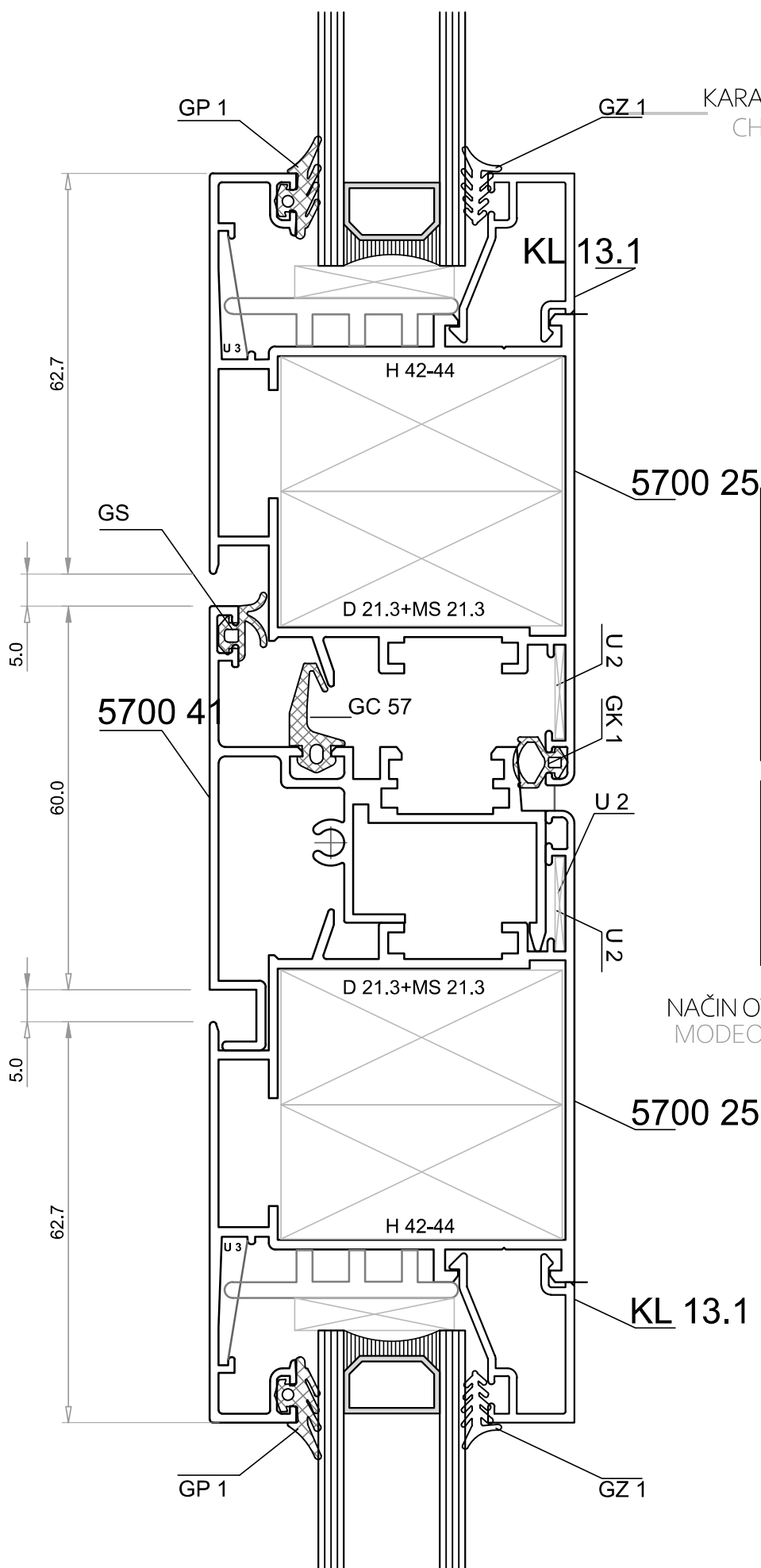
18



NAČIN OTVARANJA ELEMENATA
MODE OF OPENING ELEMENTS

KARAKTERISTIČAN PRESEK PROFILA
CHARACTERISTIC CUT PROFILE

DETALJ / DETAIL
19



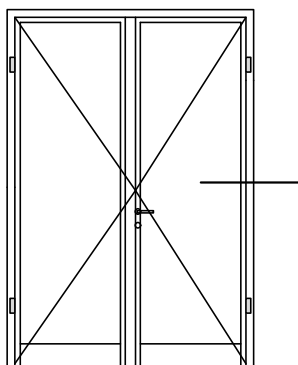
NAČIN OTVARANJA ELEMENATA
MODE OF OPENING ELEMENTS

D SEGMENT / DETALJI ELEMENATA
D SEGMENT / DETAILS OF ELEMENTS

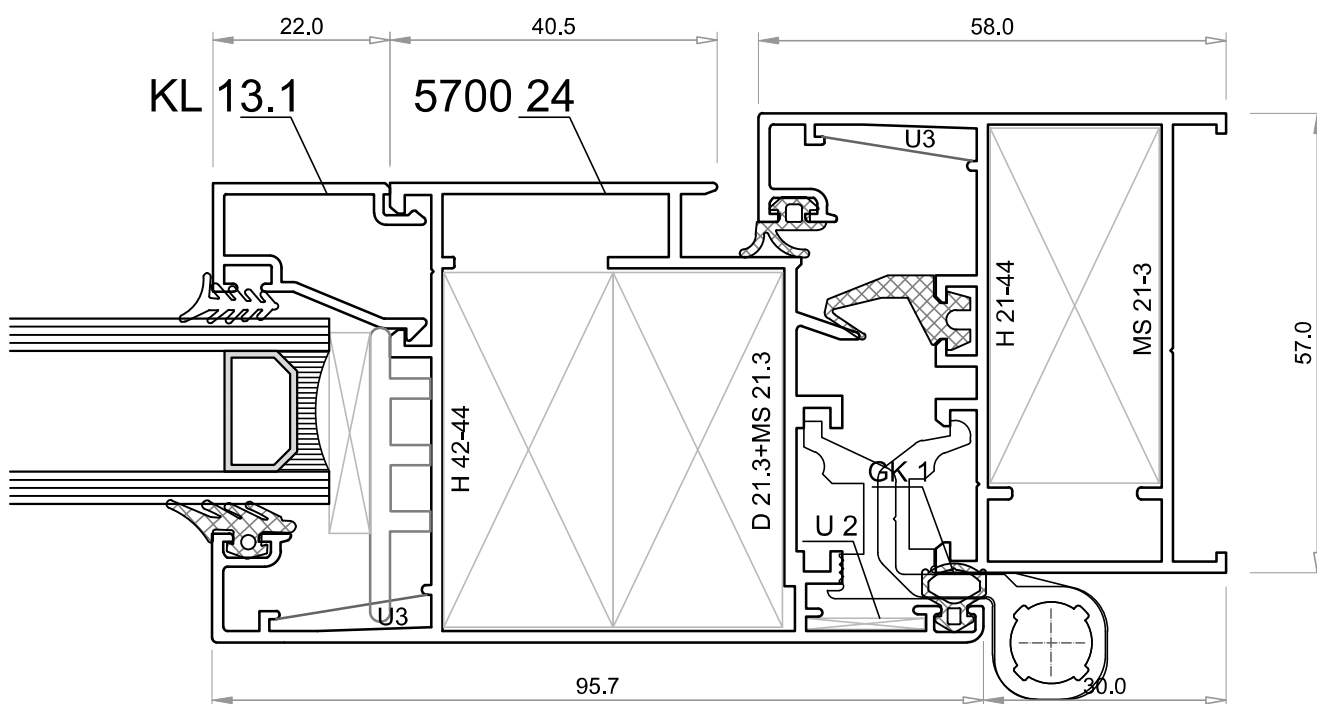
DETALJ / DETAIL

20

NAČIN OTVARANJA ELEMENATA
MODE OF OPENING ELEMENTS

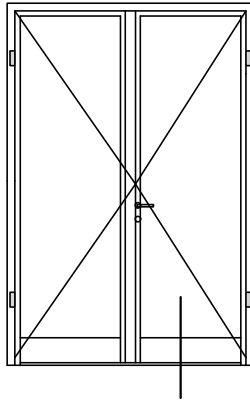


KARAKTERISTIČAN PRESEK PROFILA
CHARACTERISTIC CUT PROFILE

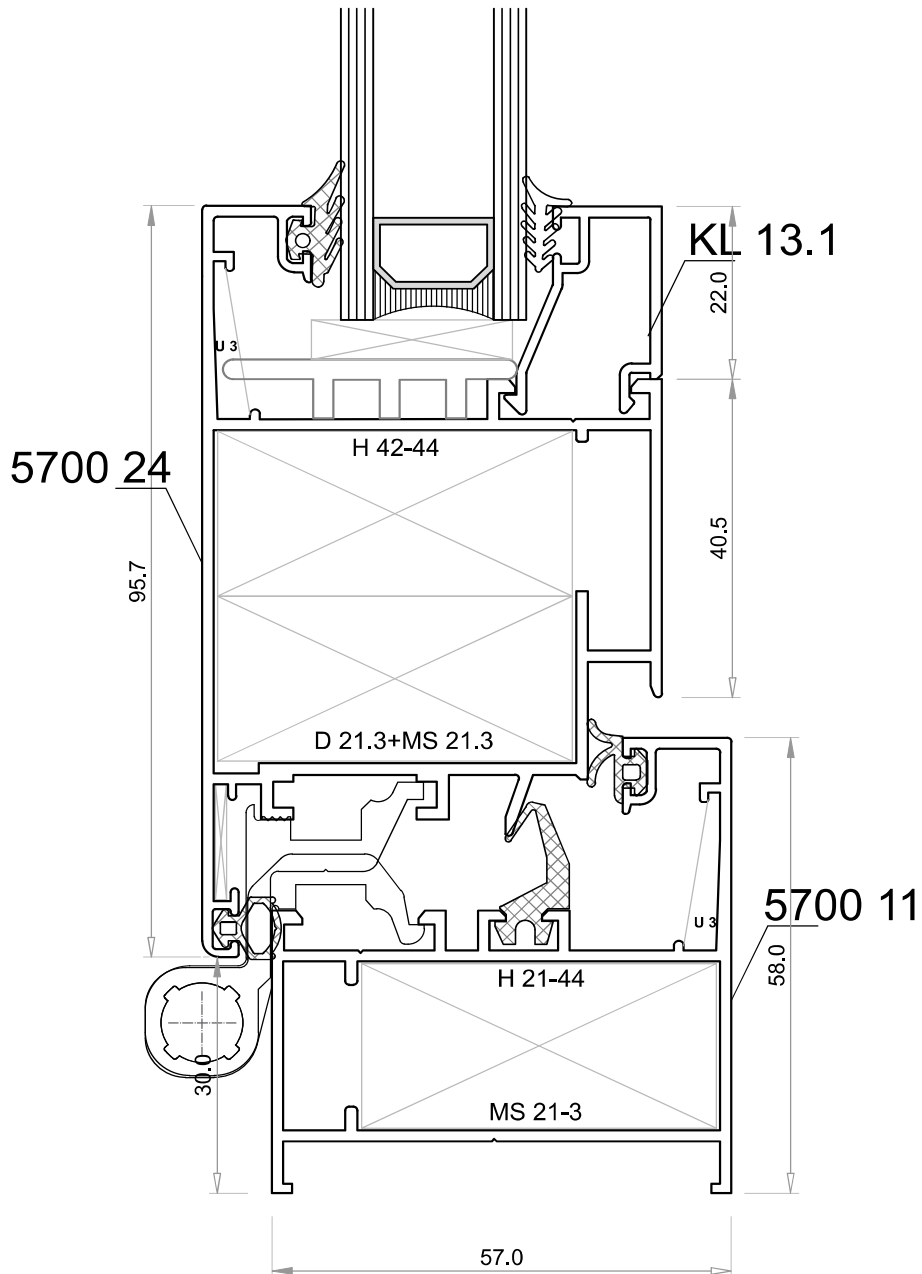


NAČIN OTVARANJA ELEMENATA
MODE OF OPENING ELEMENTS

DETALJ / DETAIL
21

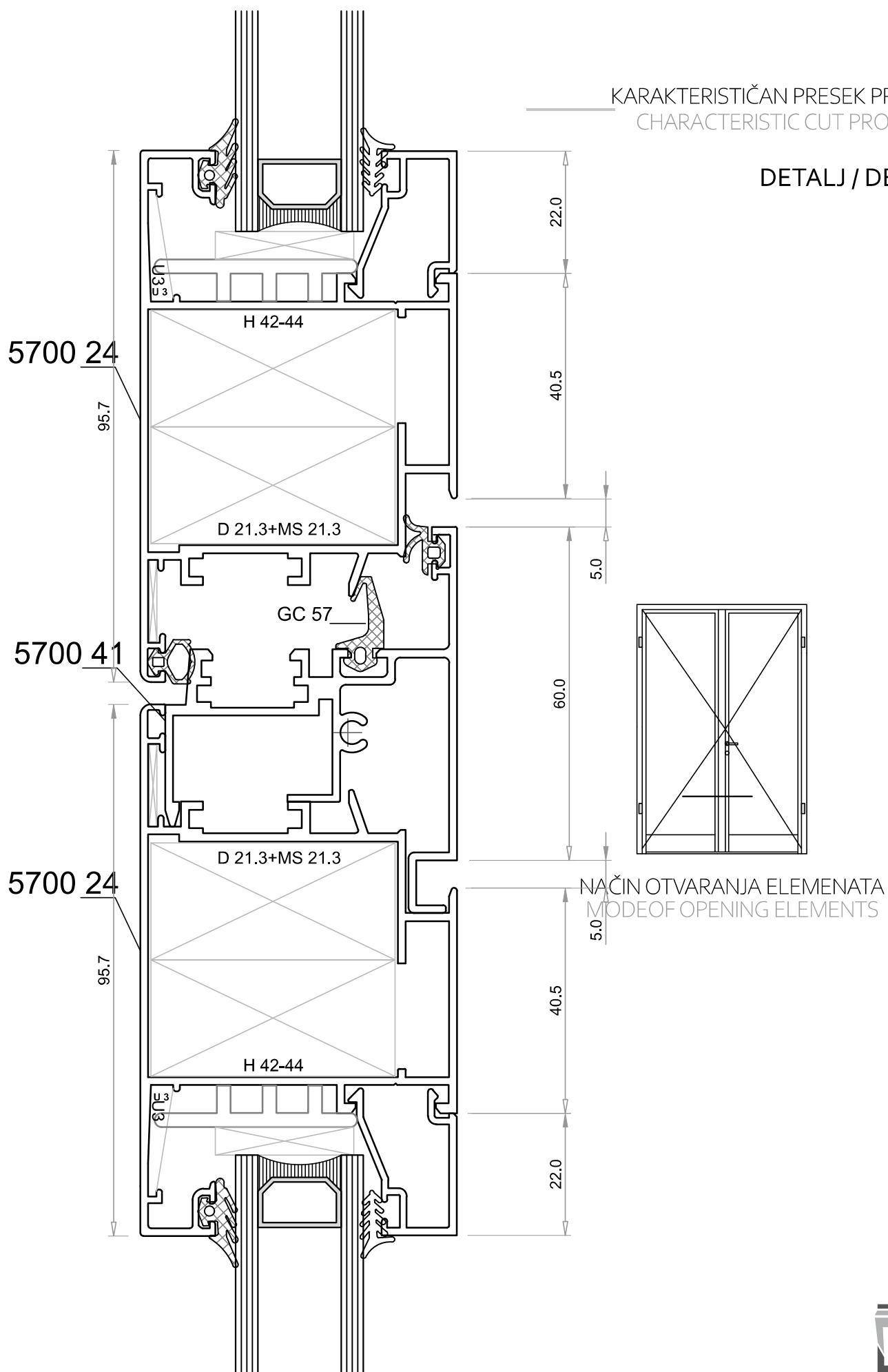


KARAKTERISTIČAN PRESEK PROFILA
CHARACTERISTIC CUT PROFILE



KARAKTERISTIČAN PRESEK PROFILA
CHARACTERISTIC CUT PROFILE

DETALJ / DETAIL
22

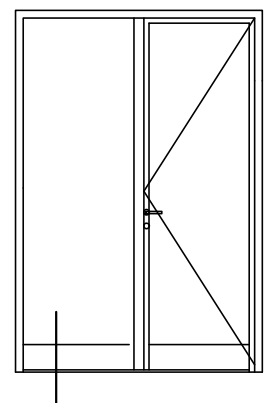
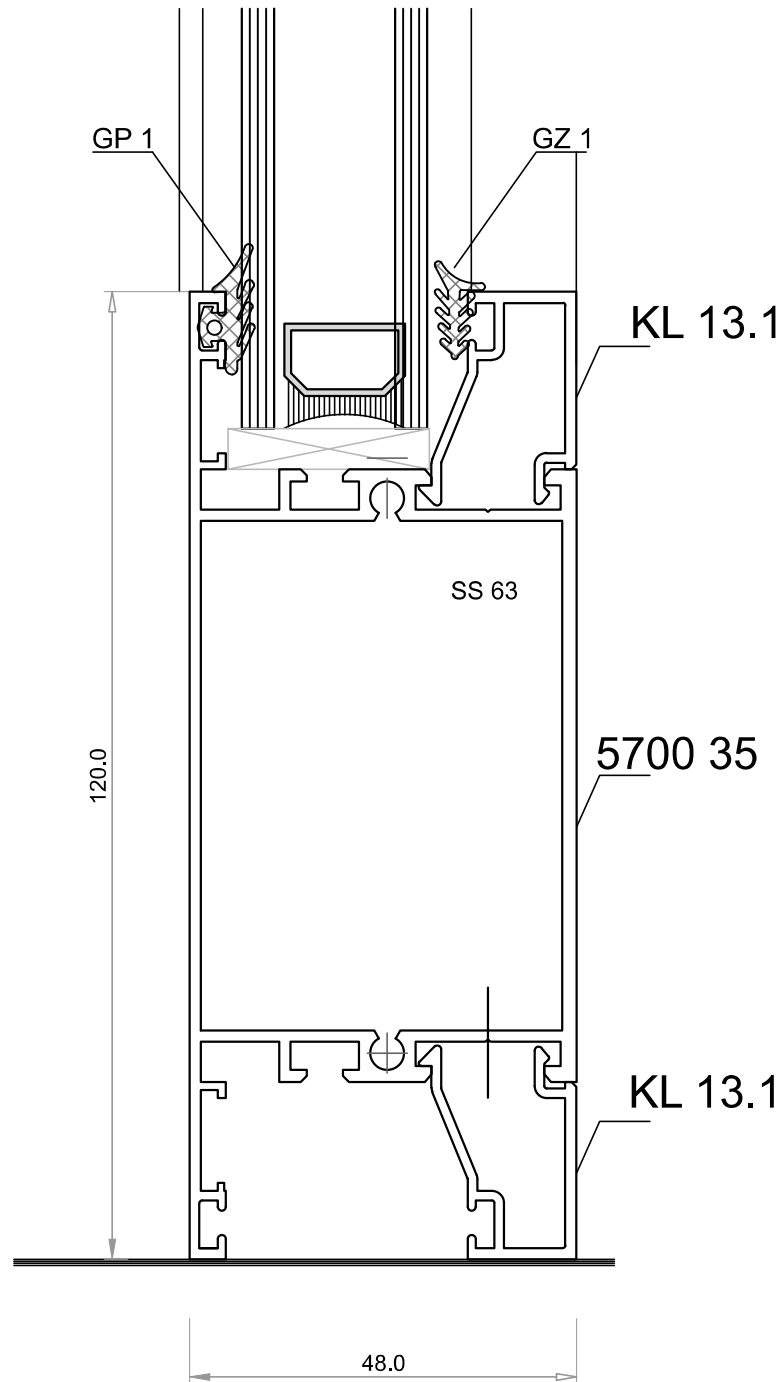


D SEGMENT / DETALJ ELEMENATA
D SEGMENT / DETAILS OF ELEMENTS | H 5700

ALUPRIS
ALUMINIUM
SYSTEMS

KARAKTERISTIČAN PRESEK PROFILA
CHARACTERISTIC CUT PROFILE

DETALJ / DETAIL
23

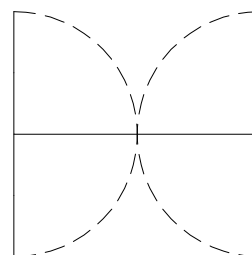
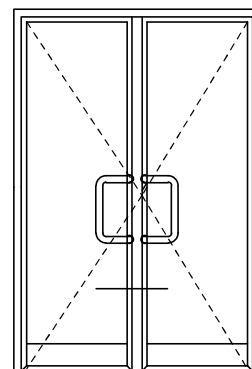
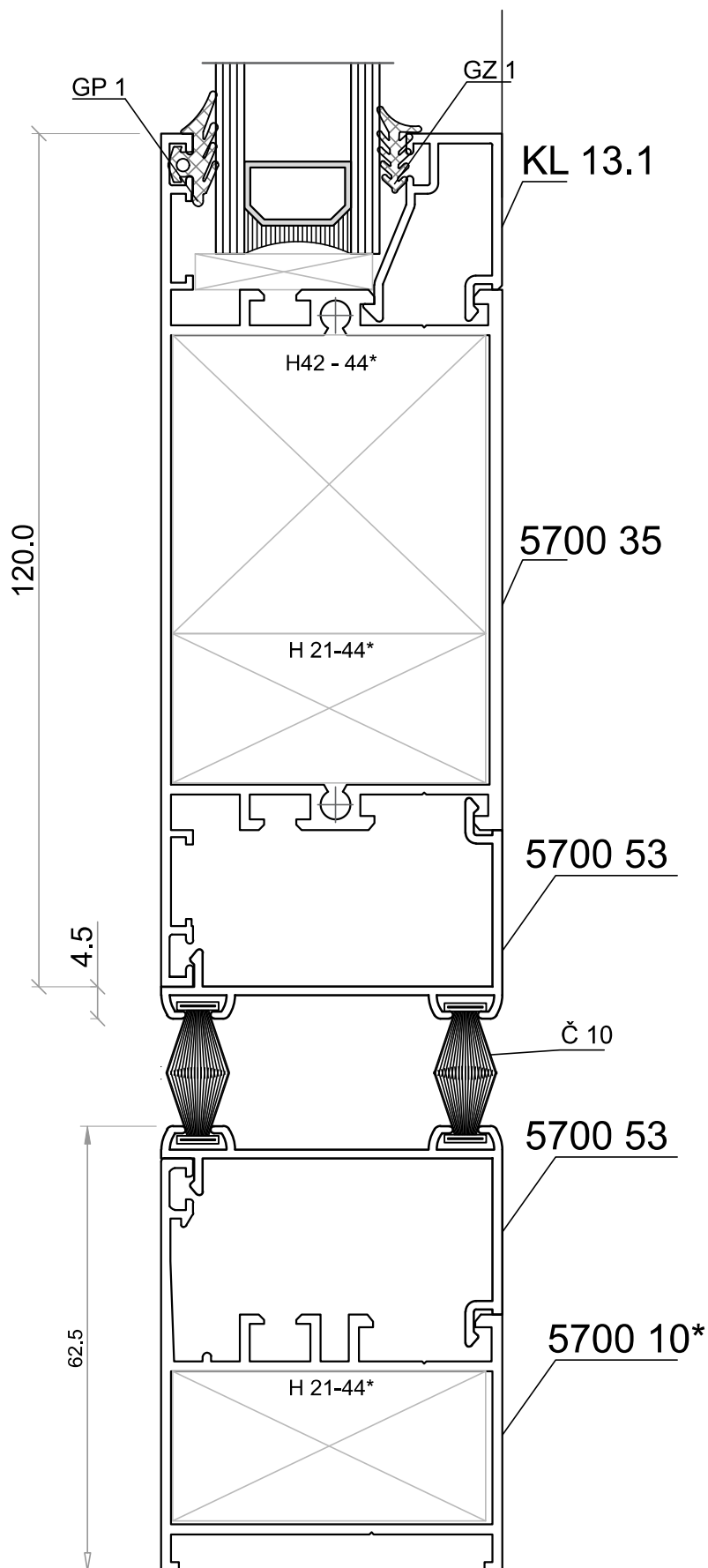


NAČIN OTVARANJA ELEMENATA
MODE OF OPENING ELEMENTS

KARAKTERISTIČAN PRESEK PROFILA
CHARACTERISTIC CUT PROFILE

DETALJ / DETAIL

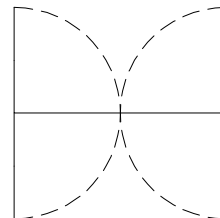
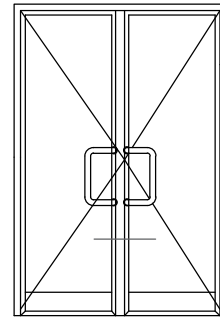
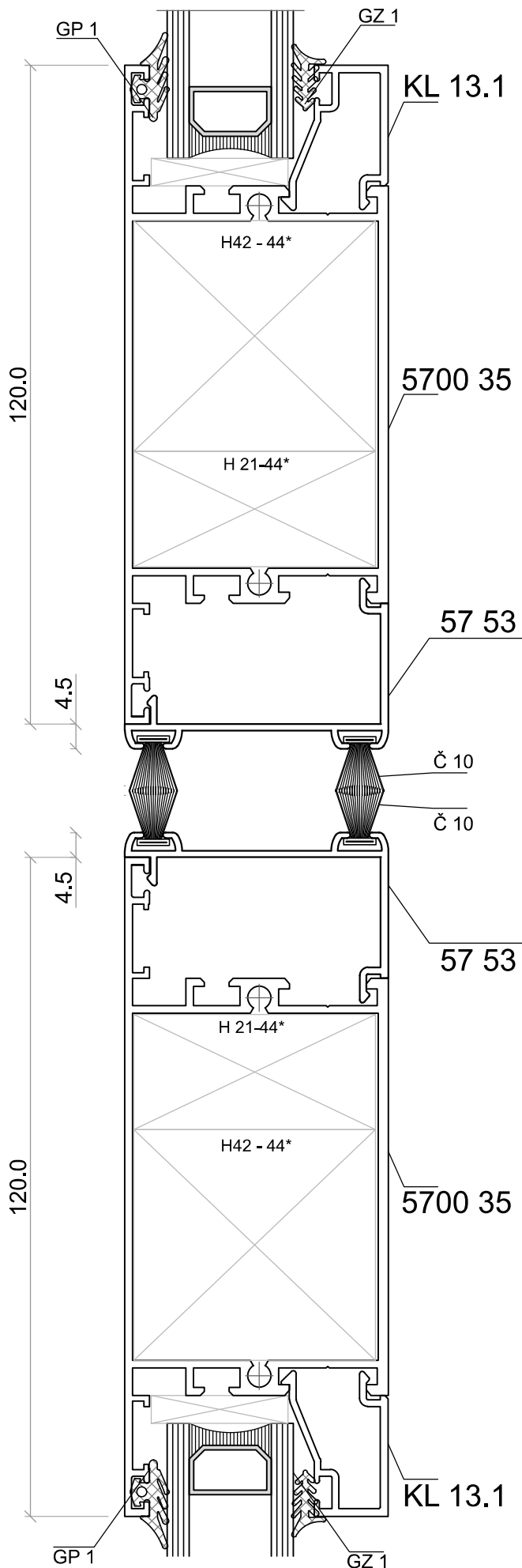
24



NAČIN OTVARANJA ELEMENATA
MODE OF OPENING ELEMENTS

KARAKTERISTIČAN PRESEK PROFILA
CHARACTERISTIC CUT PROFILE

DETALJ / DETAIL
25



NAČIN OTVARANJA ELEMENATA
MODE OF OPENING ELEMENTS

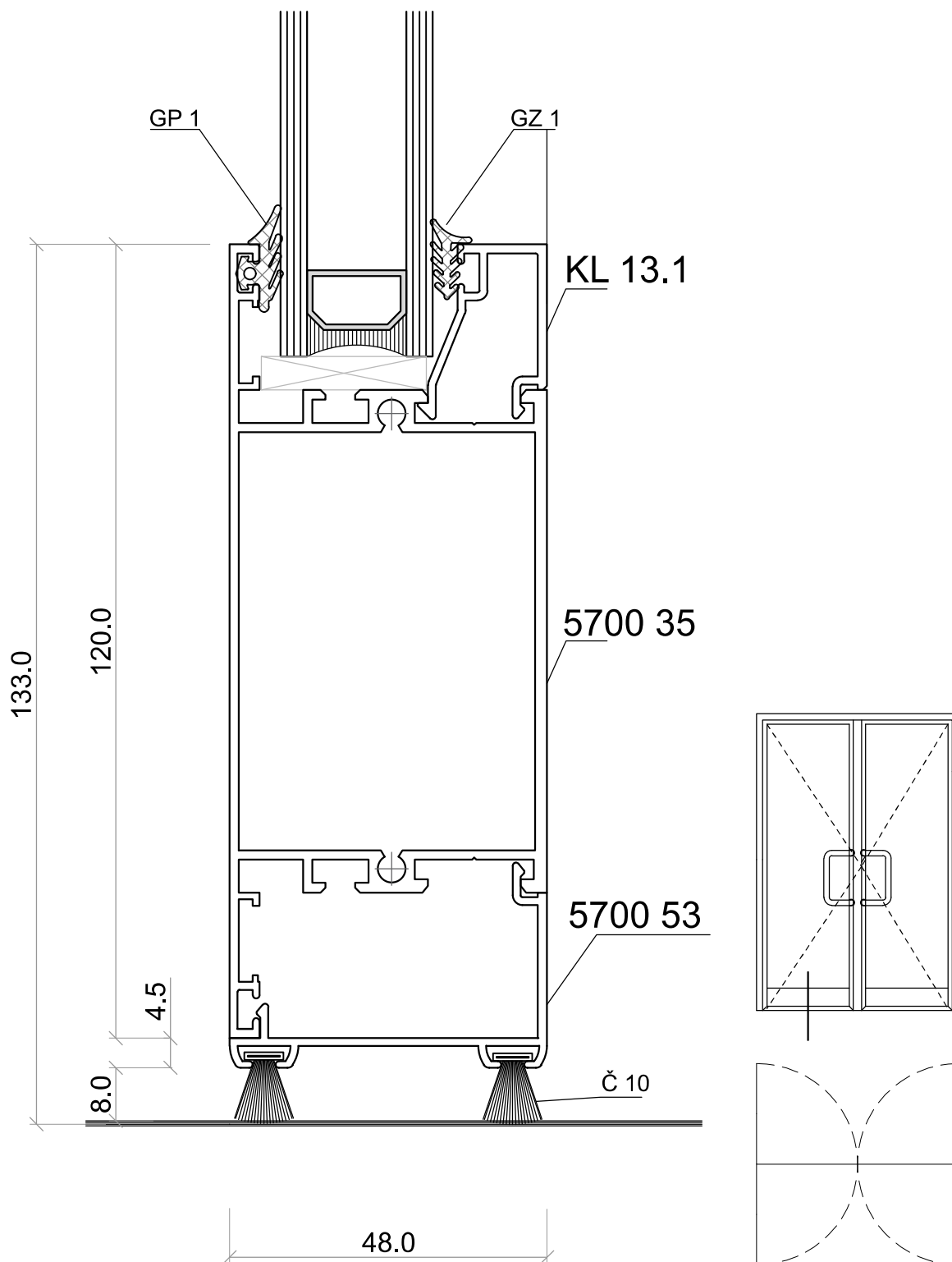
D SEGMENT / DETALJ ELEMENATA
D SEGMENT / DETAILS OF ELEMENTS | H 5700

ALUPRIS
ALUMINIUM
SYSTEMS

KARAKTERISTIČAN PRESEK PROFILA
CHARACTERISTIC CUT PROFILE

DETALJ / DETAIL

26



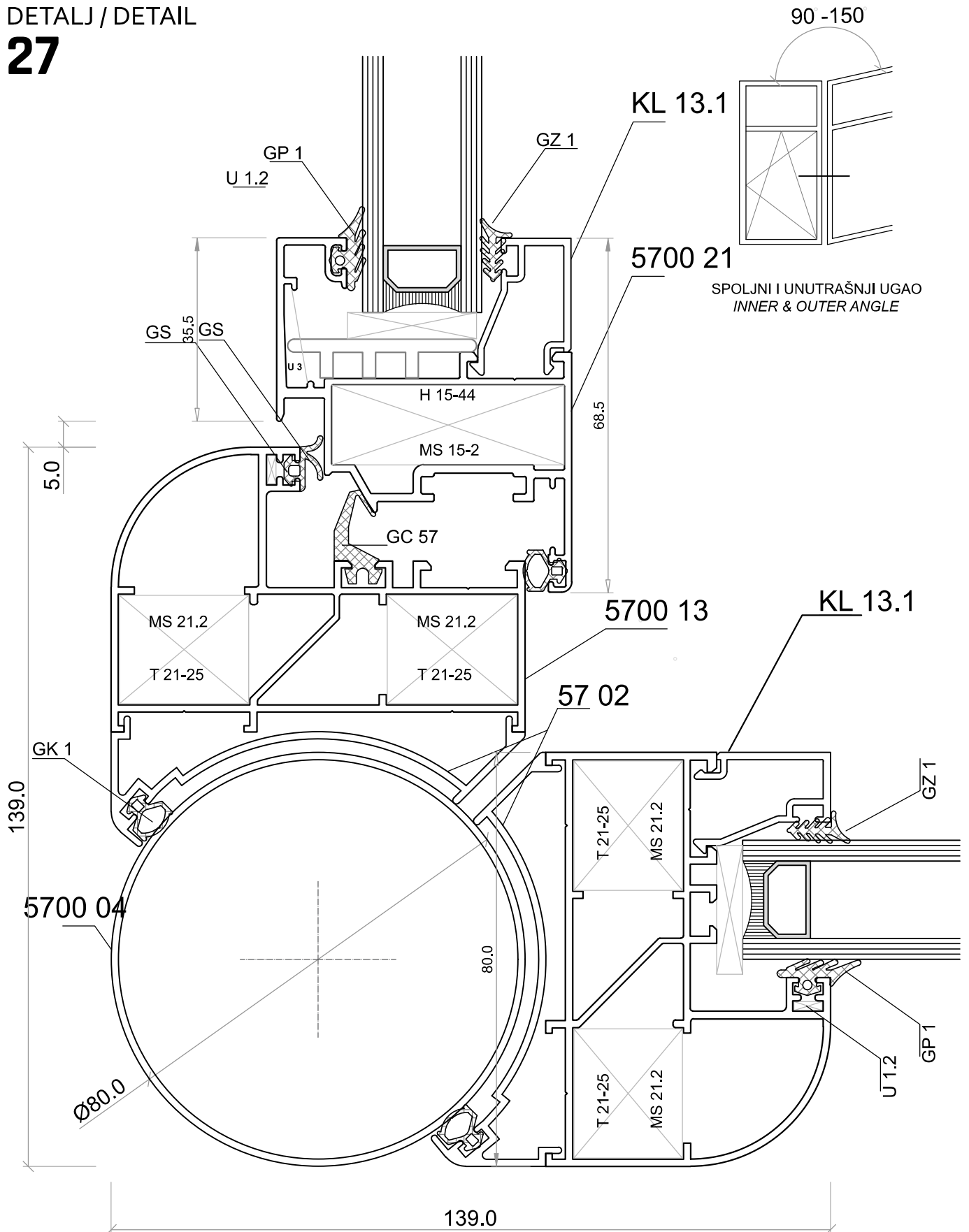
NAČIN OTVARANJA ELEMENATA
MODE OF OPENING ELEMENTS

KARAKTERISTIČAN PRESEK PROFILA
CHARACTERISTIC CUT PROFILE

NAČIN OTVARANJA ELEMENATA
MODE OF OPENING ELEMENTS

DETALJ / DETAIL

27

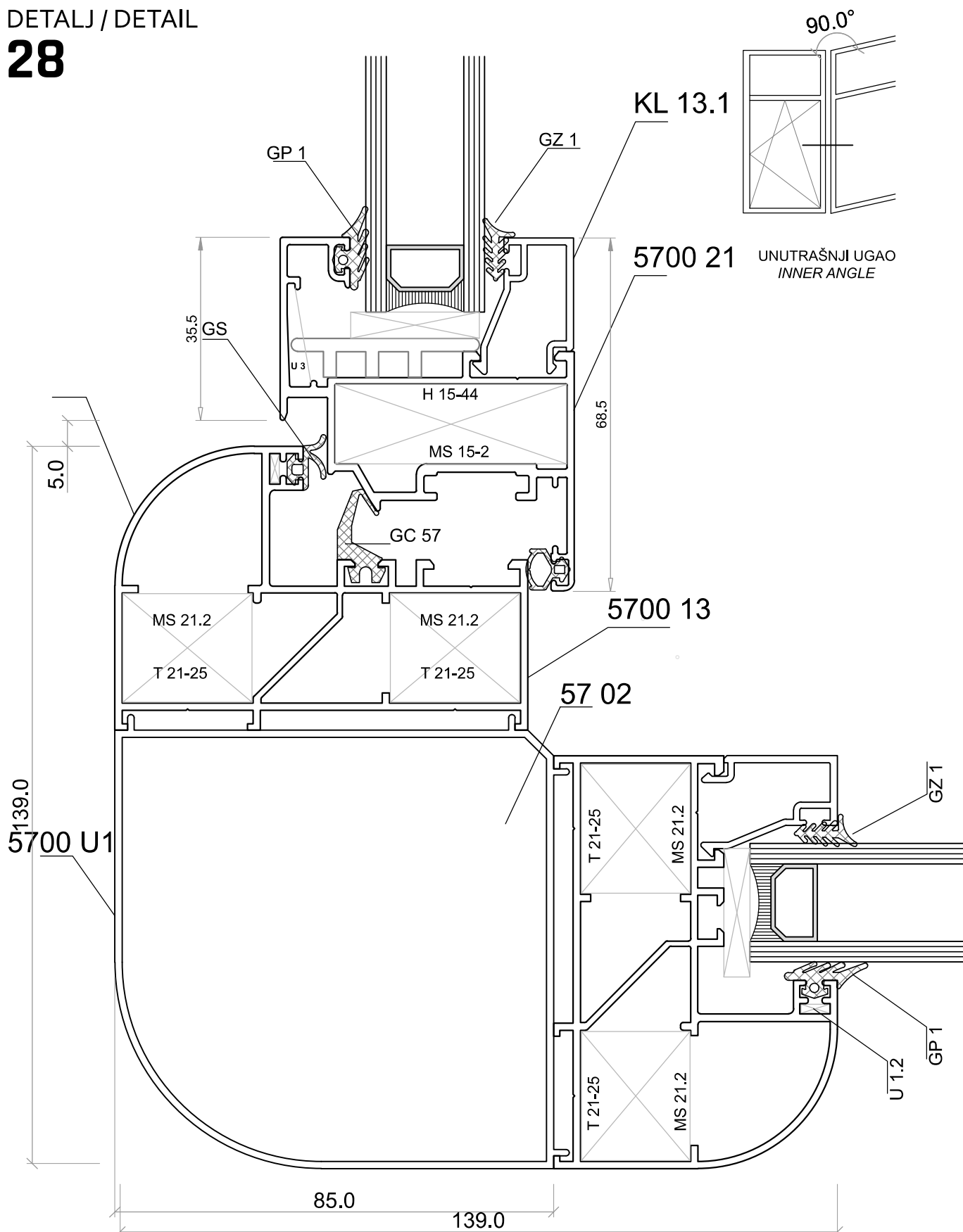


KARAKTERISTIČAN PRESEK PROFILA
CHARACTERISTIC CUT PROFILE

NAČIN OTVARANJA ELEMENATA
MODE OF OPENING ELEMENTS

DETALJ / DETAIL

28

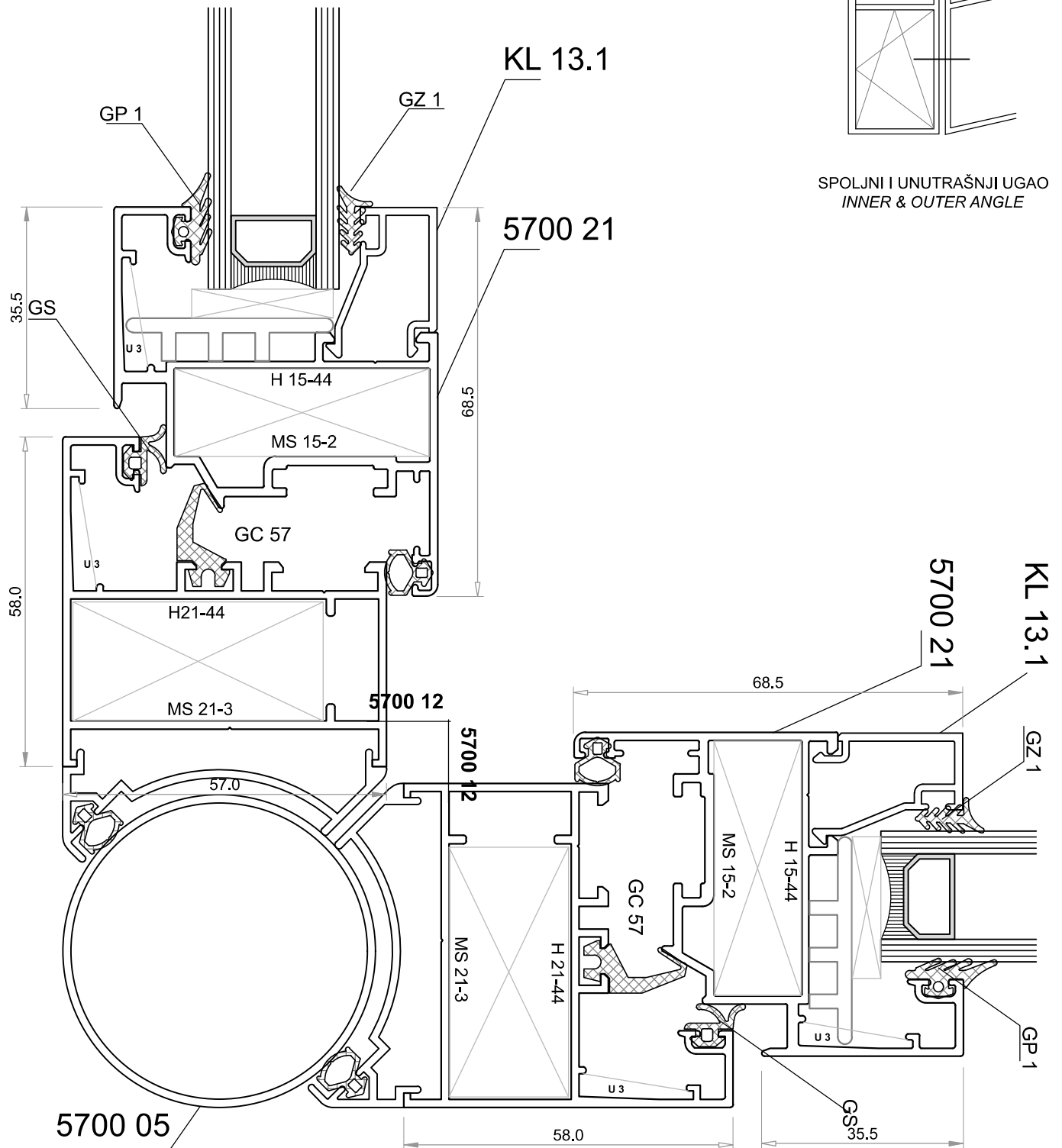


KARAKTERISTIČAN PRESEK PROFILA
CHARACTERISTIC CUT PROFILE

NAČIN OTVARANJA ELEMENATA
MODE OF OPENING ELEMENTS

DETALJ / DETAIL

29

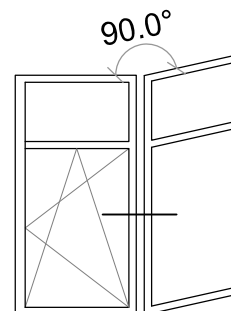
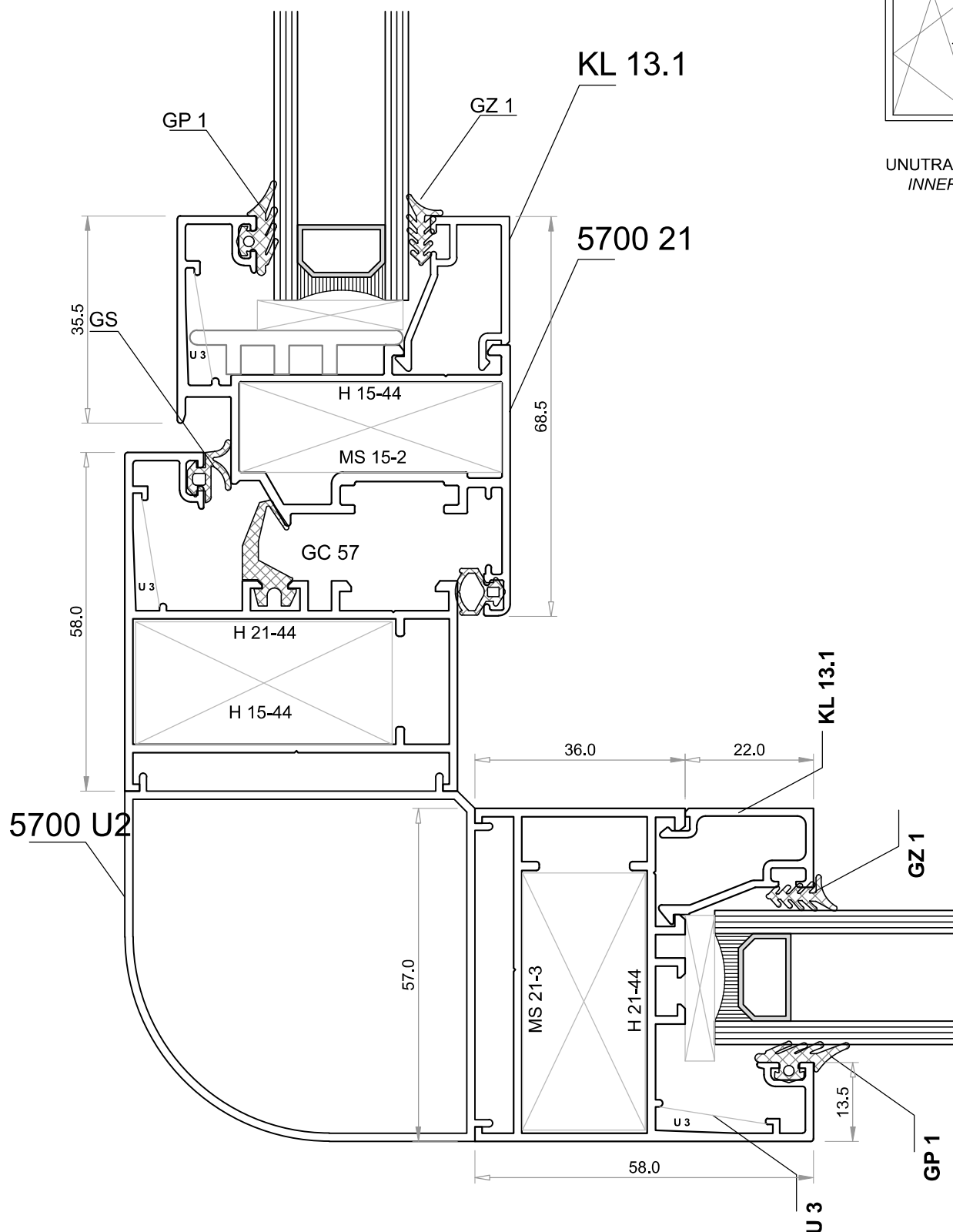


KARAKTERISTIČAN PRESEK PROFILA
CHARACTERISTIC CUT PROFILE

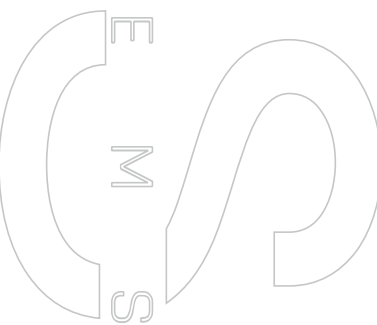
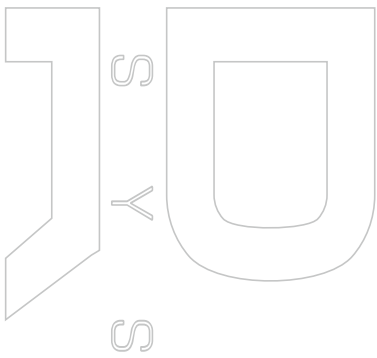
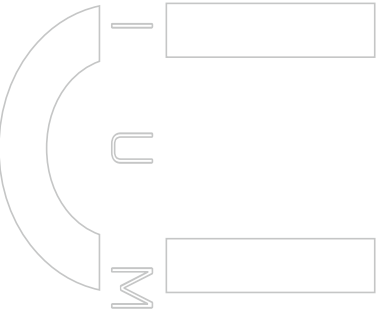
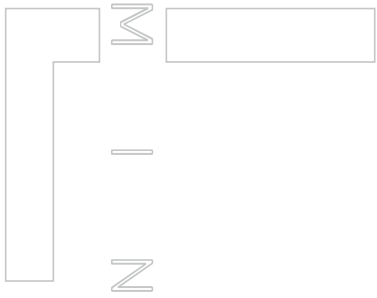
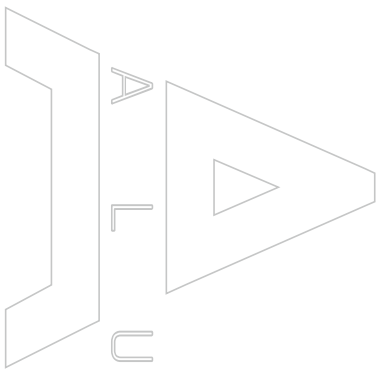
NAČIN OTVARANJA ELEMENATA
MODE OF OPENING ELEMENTS

DETALJ / DETAIL

30



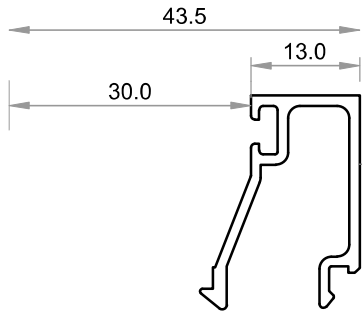
UNUTRAŠNJI UGAO
INNER ANGLE



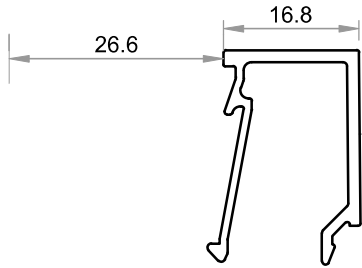
E SEGMENT

STAKLJENJE

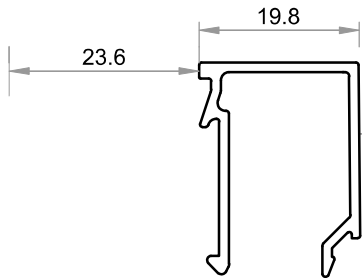
GLAZING



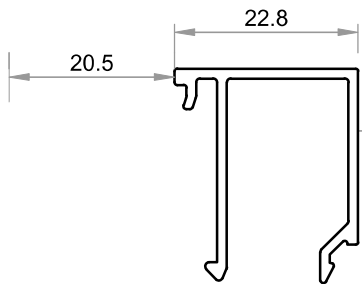
KL 13.1



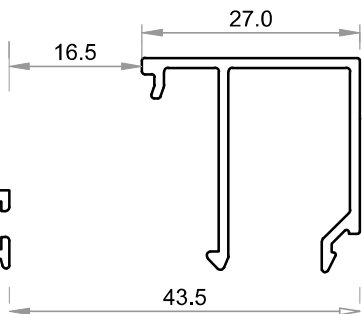
KL 17.1*



KL 20.1



KL 23.1*



KL 27.1

